

BEFORE

THE PUBLIC UTILITIES COMMISSION OF OHIO

In the Matter of the Application of) Case No. 14-1942-EL-AGG
Vanguard Energy Services, L.L.C.)
for Renewal Certification as a)
Competitive Retail Electric)
Aggregator/Power Broker

NOTICE OF MATERIAL CHANGE

Applicant, Vanguard Energy Services, L.L.C., an Oklahoma limited liability company, by and through counsel, hereby submits this notice of a material change to its business operations. Vanguard Energy Services, L.L.C., an Oklahoma limited liability company (“Vanguard Oklahoma”), is the current holder of the electric aggregator/power broker license in the State of Ohio. Vanguard Energy Services, LLC, a Delaware limited company (“Vanguard Delaware”) owns 100% of the interest in Vanguard Oklahoma. A copy of the ownership structure for Vanguard Oklahoma is attached hereto as **Exhibit A**¹. Notice is hereby provided that the license held by Vanguard Oklahoma will now be held by Vanguard Delaware.

Vanguard Delaware has registered for business in the State of Ohio as VES_OHIO, LLC (VANGUARD ENERGY SERVICES, LLC). A copy of the registration is enclosed herein as **Exhibit B**.

Vanguard Delaware continues to use the same team members for both management and technical experience as were used by Vanguard Oklahoma: John Weir, Scott Pellock, Paul Bougadis, and Neil Anderson.

¹ From 2005-September 30, 2016, Vanguard Oklahoma was owned by Seminole Energy Services, an Oklahoma limited liability company (65% ownership) and Vanguard Energy, an Illinois limited liability company (“Vanguard Illinois”) (35% ownership). Effective September 2016, Vanguard Delaware was formed by its owners, Vanguard Illinois (65% ownership) and BlueMark Energy, an Oklahoma limited liability company (35% ownership). Vanguard Delaware purchased 100% of Vanguard Oklahoma effective October 1, 2016, from Seminole Energy Services (their 65% ownership).

Respectfully submitted,

/s/ Emily O. Vaisa

Emily O. Vaisa (Reg No. 0093735)

TURNER WELO LLC

100 Park Place, Suite 150

Chagrin Falls, OH 44022

(PH) 440-600-2755

Email: emily@turnerwelolaw.com

CERTIFICATE OF SERVICE

I certify that a copy of the foregoing Notice of Material Change has been filed electronically on the Public Utilities Commission's docketing system.

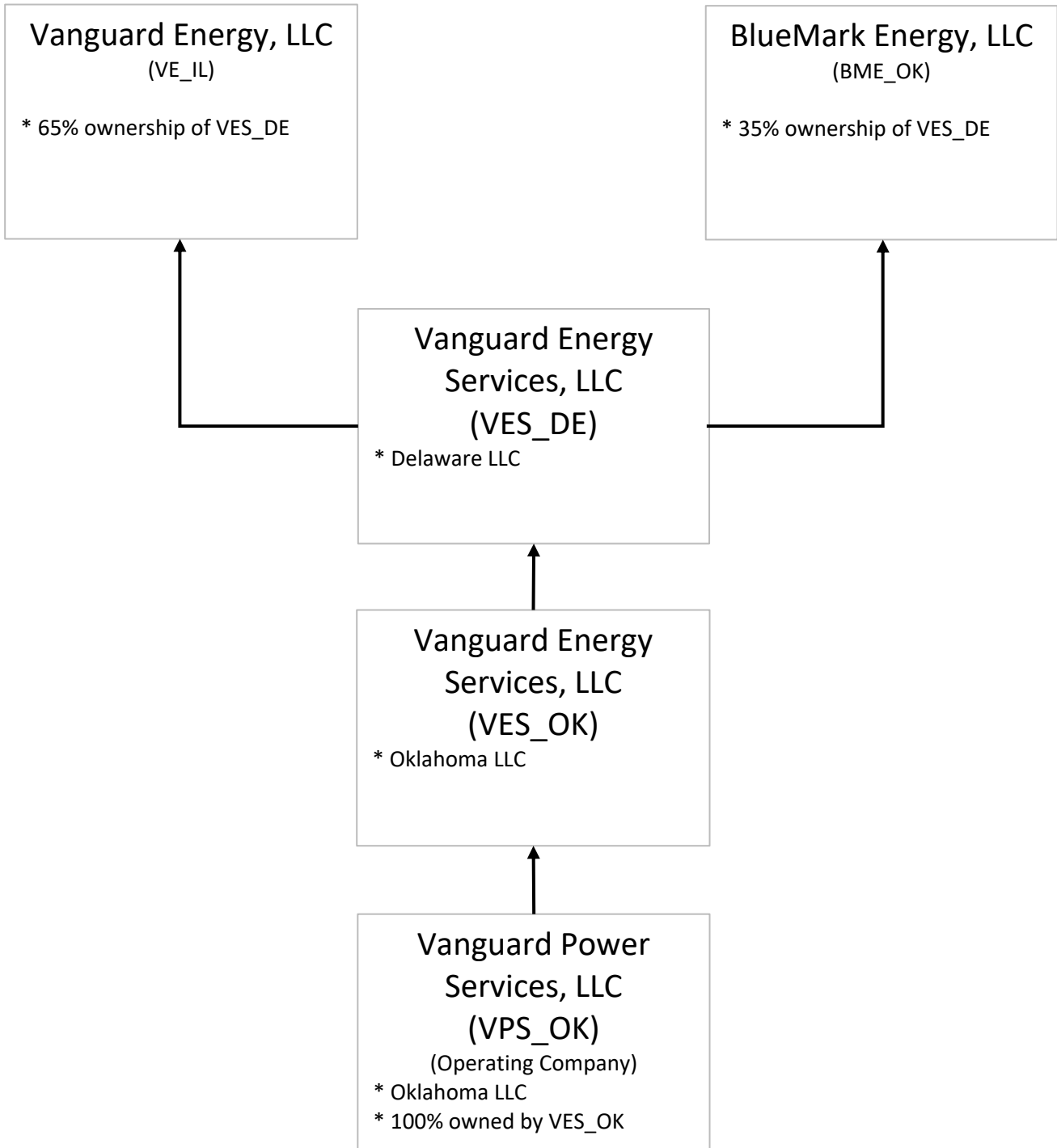
/s/ Emily O. Vaisa

Emily O. Vaisa (Reg No. 0093735)

Exhibit A

Ownership Structure

Current Ownership Structure



Previous Ownership
Structure

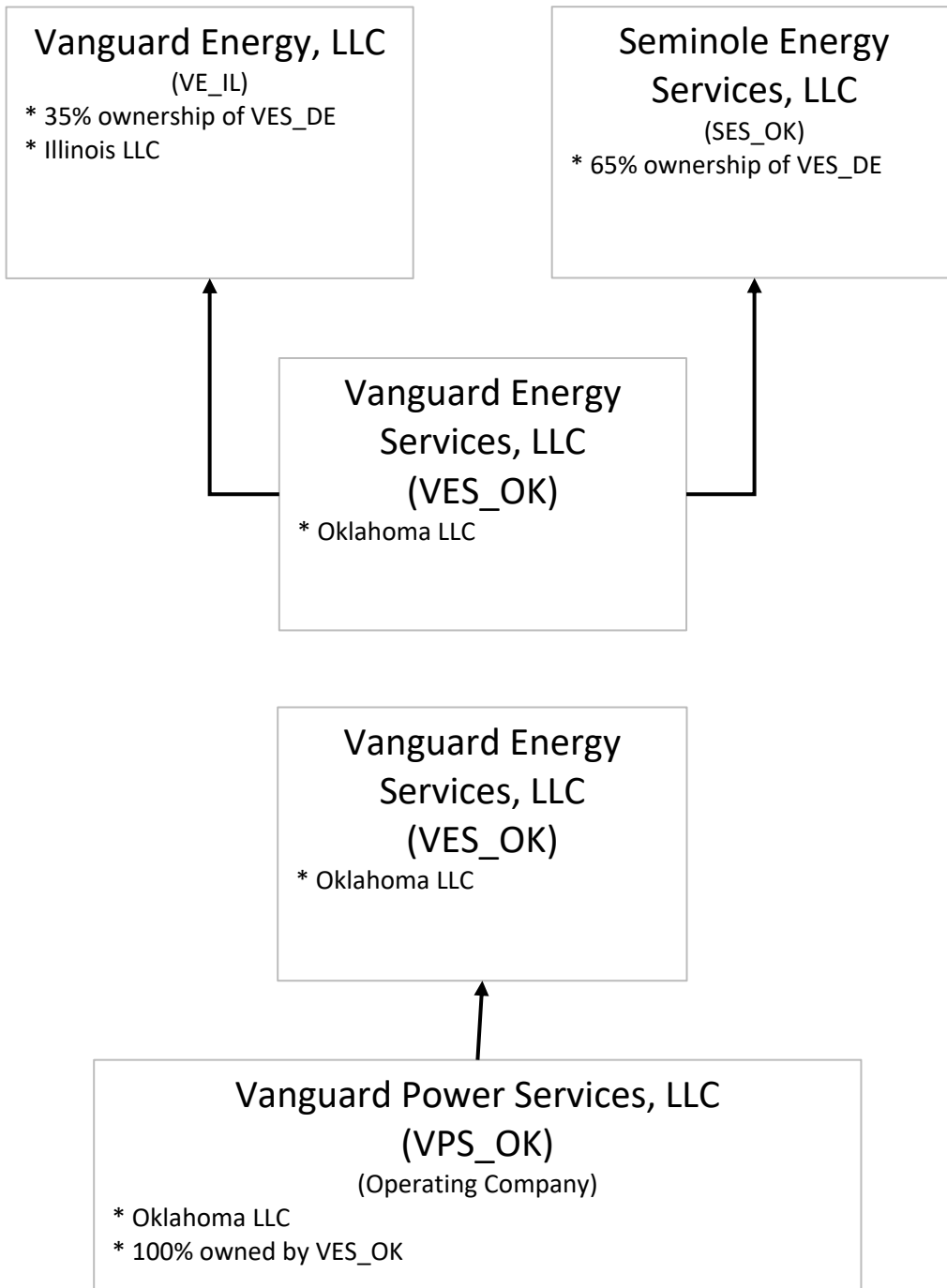


Exhibit B

Ohio Registration



DATE	DOCUMENT ID	DESCRIPTION	FILING	EXPED	CERT	COPY
04/18/2023	202310804158	FOREIGN LLC - CERTIFICATE OF REGISTRATION (LFP)	99.00	100.00	0.00	0.00

Receipt

This is not a bill. Please do not remit payment.

EDNA PERRY
2804 GATEWAY OAKS DR #100
SACRAMENTO, CA 95833

**STATE OF OHIO
CERTIFICATE**

**Ohio Secretary of State, Frank LaRose
5036211**

It is hereby certified that the Secretary of State of Ohio has custody of the business records for
VES_OHIO, LLC (VANGUARD ENERGY SERVICES, LLC)

and, that said business records show the filing and recording of:

Document(s)

FOREIGN LLC - CERTIFICATE OF REGISTRATION
Effective Date: 04/18/2023

Document No(s):

202310804158



United States of America
State of Ohio
Office of the Secretary of State

Witness my hand and the seal of the
Secretary of State at Columbus, Ohio this
18th day of April, A.D. 2023.

Ohio Secretary of State



Telephone: 877.767.3453

OhioSoS.gov | business@OhioSoS.gov

File online or for more information: OhioBusinessCentral.gov

Registration of a Foreign Limited Liability Company

For a Foreign (Non-Ohio) Limited Liability Company

Filing Fee: \$99

Form Must Be Typed

106-LFA

Name of Limited Liability Company in its jurisdiction of formation

Vanguard Energy Services, LLC

Assumed Name, if the name above does not comply with section 1706.07 of the Revised Code

VES_Ohio, LLC

(Name must include one of the following words or abbreviations: "limited liability company", "limited", "LLC", "L.L.C.", "Ltd.", or "Ltd".)

Jurisdiction of formation DE

The foreign limited liability company is a foreign limited liability company.

Optional: Effective Date (MM/DD/YYYY) 4/18/2023

Effective Time

Pursuant to Ohio Revised Code Section 1706.172(D), a registration of a foreign limited liability company delivered to the Ohio Secretary of State for filing under this chapter may specify an effective time and a delayed effective date of not more than ninety days following the date of receipt by the Secretary of State. A registration of a foreign limited liability is effective as provided in Ohio Revised Code Section 1706.172(D).

If applicable, attach information required in section 1706.511(C) if the foreign limited liability company establishes or provides for the establishment of one or more series of assets.

Original Appointment of Statutory Agent

The undersigned authorized member(s), manager(s) or representative(s) of

VES_Ohio, LLC (Vanguard Energy Services, LLC)

(Name of Limited Liability Company)

hereby appoint the following to be Statutory Agent upon whom any process, notice or demand required or permitted by statute to be served upon the corporation may be served. The complete address of the agent is:

PARACORP INCORPORATED

(Name of Statutory Agent)

4568 MAYFIELD ROAD #204

(Mailing Address)

CLEVELAND

(Mailing City)

OH

(Mailing State)

44121

(Mailing ZIP Code)

Acceptance of Appointment

The Undersigned, PARACORP INCORPORATED, named herein as the
(Name of Statutory Agent)

Statutory agent for VES_Ohio, LLC (Vanguard Energy Services, LLC)
(Name of Limited Liability Company)

hereby acknowledges and accepts the appointment of statutory agent for said limited liability company.

Statutory Agent Signature JODY MOUA, ASST. SECRETARY, PARACORP INCORPORATED
(Individual Agent's Signature / Signature on Behalf of Business Serving as Agent)

By signing and submitting this form to the Ohio Secretary of State, the undersigned hereby certifies that he or she has the requisite authority to execute this document.

Required

This filing must be signed by at least one person authorized by the limited liability company.

If the person is an individual, then he or she must sign on the "signature" line and print his or her name in the "Print Name" Box.

If the person is a business entity, please print the name of the entity in the "Signature" box and an authorized representative of the business must sign in the "By" box and print his or her name and title or authority in the "Print Name Box."

NEIL ANDERSON

Signature

By (if applicable)

Print Name

Signature

By (if applicable)

Print Name

Signature

By (if applicable)

Print Name

H\]g'ZcfY [c]b ['XcWi a Ybh' kUg`Y`YWhfcb]WU`m`Z]`YX`k]h\`h\`Y`DiV`]W`I h]`h]Yg

7c a a]gg]cb'cZ`C\]c`8cW_Yh]b ['=bZcf a Uh]cb`GmghY a `cb

)#)#&\$&'%.().)('DA

]b

7UgY`BcfigL"%(!%- (&!9@!5 ; ;

6XPPDU\ 1RWLFH 1RWLFH RI 0DWHULDO &KD QJLV E
RQ EHKDDQ JKID QJG (QHUI\ 6HUYLEFHV / / &