

Drives

AF-650GP™ General Purpose Drive

Standard Specifications

Environmental Conditions

Enclosures	IP20 Chassis, IP00 Chassis, IP21/NEMA 1, IP55/NEMA 12, IP54/NEMA 12, IP65/NEMA 4
Installation Location	Do not install in locations where product could be exposed to dust, corrosive gas, inflammable gas, oil mist, vapor, water drops or direct sunlight. There must be no salt in the atmosphere. Condensation must not be caused by sudden changes in temperature. For use at altitudes of 3280 ft (1000M) or less without derating.
Storage Temperature	-25° to 65°C
Ambient Temperature	-10° to +50°C (24 hour average max of 45°C)
Ambient Humidity	5 to 95% RH (non-condensing)
Vibration	1 Gg
Cooling Method	Fan Cooled all ratings. Fan Control Auto, 50% level, 75% level, 100% level adjustable.

Standards

Approvals	CE, UL, cUL, and C-Tick Suitable for use on a circuit capable of delivering not more than 100,000 rms symmetrical amperes for 230V and 460V
------------------	--

Input Power Supply

Rated Input AC Voltage	200-240 Vac, 3-phase, 50-60 Hz, +/- 10% V 380-500 Vac, 3-phase, 50-60 Hz, +/- 10% V 525-600 Vac, 3-phase, 50-60 Hz, +/- 10% V 525-690 Vac, 3-phase, 50-60 Hz, +/- 10% V
Maximum Voltage Imbalance	3% of rated supply voltage
True Power Factor	> 0.9 nominal at rated load
Displacement Power Factor	> 0.98
Switching on input power supply	Maximum twice/minute up to 10HP. Maximum once/minute above 10HP
Environment according to EN60664-1	Overvoltage category III/pollution degree 2

Output

Rated Output Voltage	0-100% of supply voltage
Output Frequency	0-1000 Hz, 0-800Hz for 460V above 100HP and 525/600/690 V above 100HP
Switching on output	Unlimited
Accel/Decel Times	0.01-3600 seconds
Control Method	Sinusoidal PWM Control (V/Hz, Avd Vector Control, Sensorless Vector, and Flux Vector with motor feedback)

Control

Starting Torque	160% starting torque for 1 minute (constant torque), 110% starting torque for 1 minute (variable torque)
Carrier Frequency (Motor Noise)	Selectable - 1, 1.5, 2, 2.5, 3, 3.5, 4, 5, 6, 7, 8, 10, 12, 14, 16 kHz
Torque Boost	Selectable by up to 5 individual V/Hz settings in V/Hz Mode or by 0 - 300% setting of Torque Boost parameter in Adv Vector Mode
Acceleration/Deceleration Time	0.01-3600 seconds (4 acceleration and deceleration times are selectable via digital inputs. Acceleration and deceleration patterns can be selected from linear or S-curve)
Data Protection	Password Protection for Quick Menu or Main Menu, 0-9999
Pattern Operation	Settings via Built-In Logic Controller Sequencer
Jump Frequency Control	4 jump (or skip) frequencies via parameter set to avoid mechanical vibration
Slip Compensation	Maintains motor at constant speed with load fluctuations
Torque Limit Control	Output torque can be controlled within a range of 0.0 to 160% (0.1 and steps)
8 Preset Speeds	8 programmable preset speeds selectable by 3 digital inputs
Trim Reference Setting	Available for speed reference offset via potentiometer, voltage input, or current input
DC Injection Braking	Starting frequency: 0.0-1000 Hz, 0-800Hz for 460V above 100HP and 525-690 V above 50HP Braking time: 0.0-60.0 seconds Braking level: 0-100% of rated current
Jogging Operation	Operation via On key or digital input (Fwd or Rev)
Auto-Restart After Power Failure	Restarts the drive without stopping after instantaneous power failure
Energy Savings	Controls output voltage to minimize motor loss during constant speed operation
Start Mode Function	This functionality smoothly catches a spinning motor

Logic Controller (LC) Sequencer

Logic Controller Events	Up to 37 types of Programmable Events
Comparators	Array of 6 Comparators
Timers	Array of 8 Timers, adjustable from 0.0 to 3600 sec
Logic Rules	Array of 6 Boolean Logic Rules
Logic Controller States	Array of 20 Logic Controller Action States

Process Controller (PID)

Process CL Feedback Select	Up to 2 references Selectable - No function, Motor Feedback, Separate Encoder, Encoder Option Module, or Resolver Option Module
Process PID Control	Normal or Inverse
Process PID Anti Windup	Disabled or enabled
Process PID Start Speed	0.0-200 Hz
Process PID Proportional Gain	0.00-10.00
Process PID Integral Time	0.1 - 10000.0 ms
Process PID Differential Time	0.0 - 10 s
Process PID Differential Gain	1.0-50.00
Process PID Feed Forward Factor	0-500%
On Reference Bandwidth	0-200%

Operation

Operation Method	Keypad operation: Hand, Off, Auto Digital input: Programmable for Start/Stop, Forward/Reverse, Jog Timer operation: Stop after predetermined time frame Built-in RS-485 Modbus RTU USB Port for programming drive with optional PC Software Left or Right Arrow buttons on keypad in Manual Mode Speed Potentiometer: 0 to +10 Vdc, 10 to 0 Vdc 0-10Vdc analog input 0/4-20ma analog input
Frequency Reference Signal	Up to 3 Input References can be selected from Analog Input #1 or #2, Frequency Input #1 or #2, Network, or Potentiometer

References

Up to 3 Input References can be selected from Analog Input #1 or #2, Frequency Input #1 or #2, Network, or Potentiometer

Input Signals

6 - Digital Inputs: 24 Vdc PNP or NPN	1 - Safe Stop Digital Input suitable for category 3 installations to meet EN-954-1 2 - Pulse Inputs rated to 110kHz or 1 - Pulse Input and 1 - Encoder Input 24 Vdc rated to 4096 PPR 2 - Analog Inputs -10 to +10V scalable or 0/4 to 20 mA scalable
Digital Input Settings	No Operation Reset after drive trip or alarm Drive at stop with no holding current Quick Stop according to Quick Stop Decel Time 1 Stop on input going low Start Maintained Start after signal applied for Minimum of 2ms Reversing Start Reverse Enable Start Forward only Enable Start Reverse only Jog Multi-Step Frequency selection (1 to 8 Steps) Hold Drive Frequency Hold Reference Speed Up, activated by Hold Drive Frequency or Hold Reference Slow Down, activated by Hold Drive Frequency or Hold Reference Drive Parameter Setup Select 1-4 Precise Start or Stop, Activated when drive parameter precise start or stop function is selected Catch Up or Slow Down, Activated by signal to add to or subtract from input reference to control speed Pulse Input selectable from 100 - 110000Hz Accel / Decel Time select. Set input to Accel / Decel Times 1 to 4 Digital Potentiometer Input Increase or Decrease Mechanical Brake Feedback



Drives

AF-650GP™ General Purpose Drive

Standard Specifications

Section 15

Operation (continued)

Output Signals	2 - Digital Outputs 24 Vdc (Digital Outputs are used in place of 2 of the Digital Inputs) 2 - Form C Relays rated to 2A at 240 Vac 1 - Analog Output 0/4 to 20mA Relay Output Settings No Operation Control Ready Drive Ready Drive Ready in Remote Standby No Drive Warnings Drive Running Drive Running No Drive Warnings Drive Running on Remote Alarm Alarm or Warning At Torque Limit Out of Current Range Below Current Above Current Out of Speed Range Below Speed Above Speed Out of Feedback Range Below Feedback Above Feedback Thermal Overload Warning Reverse Bus OK Torque Limit and Stopped Brake and no Warning Brake Ready and No Faults Brake Chopper Fault External Interlock Out of External Reference Range Below External Reference Above External Reference Fieldbus Controlling Drive No Alarm Running in Reverse Local Mode Active Remote Mode Active Start Command Active Hand Mode Active Auto Mode Active
Protective Functions	Line Phase Loss DC Overvoltage DC Undervoltage Drive Overload Motor Overtemperature Motor Thermistor Overtemperature Torque Limit Overcurrent Ground Fault Short Circuit Control Word Timeout Brake Resistor Short-Circuited Brake Chopper Short-Circuited Brake Check DC Link Voltage High DC Link Voltage Low Internal Fan Fault External Fan Fault Power Board Overtemperature Missing U Phase Missing V Phase Missing W Phase Internal Fault Control Voltage Fault Auto Tune Check - Wrong Motor Parameters Auto Tune Low Inom - Motor current is too low Current Limit Mechanical Brake Low Drive Initialized to Default Value Keypad Error No Motor Soft Charge Fault Auto Tuning Fault Serial Comms Bus Fault Hardware Mismatch Speed Limit

Keypad

Keypad Features	LCD Display with 6 Alpha-numeric lines Multi-Language Support Hot Pluggable, Remote Mount Option, and Copy/Cat Feature, IP65 rating when remote mounted on enclosure LEDs - Green - drive is on, Yellow - indicates a warning, Red - indicates an alarm, Amber - indicates active Menu keys and H-O-A keys
Keypad Keys	Status - shows status of drive Quick Menu - Enters Quick Start, Parameter Data Check, or Trending Modes Main Menu - Used for programming all drive parameters Alarm Log - Used to display Alarm list Back - Reverts to previous step or layer in parameter structure Cancel - Used to cancel last change or command Info - Displays information about a command, parameter, or function in any display Hand/Off/Auto - Used to control drive locally or put drive in remote mode Reset - Used to reset Warnings or Alarms
Password	2 Level Password Protection
Alternate Motor Parameters	Up to 4 Separate complete parameter set-ups are available
Graphical Trending	Trend Speed, Power, Frequency or any value programmed in status display

RS485 Modbus RTU Serial Communications

Physical Level:	EIA/RS485
Transmission Distance:	1640 ft (500m)
Node Address:	32
Transmission Speed:	2400, 4800, 9600, 19200, 38400, or 115200 (bits/s)
Transmission Mode:	Half Duplex
Transmission Protocol:	Modbus RTU
Character Code:	Binary
Character Length:	8 Bits
Error Check:	CRC

Mounting Clearance

All AF-650GP™ drives can be mounted Side-by-Side without spacing
 For all drives rated 100HP or below allow 3.4 inches (100mm) free space above and below
 For all drives rated 125HP and above allow 8.9 inches (225mm) free space above and below



Drives

AF-650GP™ General Purpose Drive Replacement Parts

Section 15

IP 20 - 230 Vac, 3-Phase, 50/60Hz Input

IP 55/66 - 230 Vac, 3-Phase, 50/60Hz Input

Product Number	List Price GO-SRP	Description	Unit Size	Rating	Drive Hp and Quantity Per Drive												
					1/3	1/2	1	2	3	5	7.5	10	15	20	25	30	40
Main Control Card																	
6KAF61109	\$950.00	Control Card	-	-	1	1	1	1	1	1	1	1	1	1	1	1	1
Keypad																	
KYPDACGP1	\$500.00	Replacement Graphical Keypad	-	-	1	1	1	1	1	1	1	1	1	1	1	1	1
6KAF61007	\$45.00	Frame w/o option A or B	12/13/23	-	1	1	1	1	1	1	1	1	1	1	1	1	1
6KAF61008	\$60.00	Frame w option A or B	12/13/23	-	1	1	1	1	1	1	1	1	1	1	1	1	1
6KAF60284	\$75.00	Frame	24/33/34	-	1	1	1	1	1	1	1	1	1	1	1	1	1
6KAF63414	\$40.00	Frame	15/21/22/31/32	-	1	1	1	1	1	1	1	1	1	1	1	1	1
6KAF61011	\$40.00	Terminal cover w/o option A or B	12/13	-	1	1	1	1	1	1	1	1	1	1	1	1	1
6KAF61012	\$40.00	Terminal cover w option A or B	12/13	-	1	1	1	1	1	1	1	1	1	1	1	1	1
6KAF61411	\$65.00	Terminal cover	23	-						1	1						
6KAF61410	\$95.00	Terminal cover	23	-						1	1						
Power Card																	
6KAF61802	\$3830.00	Power Card	21	-						1							
6KAF61803	\$4285.00	Power Card	21	-							1						
6KAF61805	\$4835.00	Power Card	22	-								1					
6KAF61807	\$1550.00	Power Card	31	-									1				
6KAF61808	\$1550.00	Power Card	31	-										1			
6KAF61809	\$1550.00	Power Card	31	-											1		
6KAF61810	\$1735.00	Power Card	32	-												1	
6KAF61811	\$1735.00	Power Card	32	-													1
6KAF61902	\$3830.00	Power Card	23	-						1							1
6KAF61903	\$4285.00	Power Card	23	-							1						
6KAF61906	\$4835.00	Power Card	24	-								1					
6KAF61907	\$5020.00	Power Card	24	-									1				
6KAF61916	\$1825.00	Power Card	33	-										1			
6KAF61917	\$1825.00	Power Card	33	-											1		
6KAF61918	\$1920.00	Power Card	34	-												1	
6KAF61919	\$1920.00	Power Card	34	-													1
6KAF61806	\$2010.00	Switch Mode Power Supply	22	-									1				
Inverter IGBTs																	
6KAF61884	\$1510.00	Dual IGBT Module	31/33	150A									3	3			
6KAF61885	\$1895.00	Dual IGBT Module	31/33	200A											3		
6KAF61886	\$2600.00	Dual IGBT Module	32/34	300A												3	3
Brake IGBT																	
6KAF61884	\$1510.00	Dual IGBT Module	31/33	150A									1	1	1		
6KAF61400	\$2105.00	Dual IGBT Module	32/34	200A												1	
6KAF61886	\$2595.00	Dual IGBT Module	32/34	300A													1
Rectifiers																	
6KAF61887	\$820.00	Thyristor Module	31/33	180A									3	3	3		
6KAF61888	\$1130.00	Thyristor Module	32/34	240A												3	3
RFI Filters																	
6KAF63378	\$680.00	RFI Filter (class A2)	21	-						1	1						
6KAF63381	\$685.00	RFI Filter (class A2)	22	-									1				
6KAF63427	\$40.00	RFI Filter (class A2)	31	-										1	1	1	
6KAF63377	\$1235.00	RFI Filter (class A1/B)	21	-						1	1			1	1	1	
6KAF63380	\$1495.00	RFI Filter (class A1/B)	22	-									1				
6KAF63425	\$4265.00	RFI Filter (class A1/B)	31	-										1	1	1	
6KAF63422	\$4750.00	RFI Filter (class A1/B)	32	-											1	1	1
6KAF61412	\$1325.00	RFI Filter (class A1/B)	23	-						1	1					1	1
6KAF61416	\$1535.00	RFI Filter (class A1/B)	24	-									1	1			
6KAF61419	\$2565.00	RFI Filter (class A1/B)	33	-											1	1	
6KAF61420	\$3185.00	RFI Filter (class A1/B)	34	-												1	1
Current Transducers																	
6KAF61896	\$1580.00	Current Transducer Card	31/33	-									1	1	1		
6KAF61895	\$1590.00	Current Transducer Card	32/34	-												1	1
DC Link																	
6KAF65160	\$910.00	DC Capacitors	31	3700uF										2			
6KAF65159	\$1050.00	DC Capacitors	31	4500uF											2		
6KAF65158	\$1275.00	DC Capacitors	31	5300uF												2	
6KAF65157	\$825.00	DC Capacitors	32	3700uF													2
6KAF65156	\$1030.00	DC Capacitors	32	4500uF													2
6KAF61423	\$1440.00	DC Capacitors	33/34	4500uF													2
6KAF61060	\$1200.00	DC Link Reactors	21	780mH						1					2	2	2
6KAF61062	\$1260.00	DC Link Reactors	22	490mH													
6KAF61063	\$1385.00	DC Link Reactors	22	410mH							1						
6KAF61035	\$2205.00	DC Link Reactors	31	300mH										1			
6KAF61036	\$2630.00	DC Link Reactors	31	260mH											1		
6KAF61037	\$2960.00	DC Link Reactors	31	200mH												1	
6KAF61038	\$3535.00	DC Link Reactors	32	170mH													1
6KAF61039	\$4090.00	DC Link Reactors	32	100mH													1
6KAF61950	\$1355.00	DC Link Assembly	24	-									1				
6KAF61951	\$1600.00	DC Link Assembly	24	-										1			



Drives

AF-650GP™ General Purpose Drive

Replacement Parts

Section 15

IP 20 - 230 Vac, 3-Phase, 50/60Hz Input (continued)

IP 55/66 - 230 Vac, 3-Phase, 50/60Hz Input (continued)

Product Number	List Price GO-SRP	Description	Unit Size	Rating	Drive Hp and Quantity Per Drive															
					1/3	1/2	1	2	3	5	7.5	10	15	20	25	30	40	50		
Fans																				
6KAF61009	\$160.00	Fan Assembly	12	-	1	1	1	1	1											
6KAF61010	\$160.00	Fan Assembly	13	-						1										
6KAF61017	\$295.00	Fan Assembly	15	-	1	1	1	1	1	1										
6KAF63563	\$270.00	External Fan (IP20)	23	12W							1	1								
6KAF63699	\$250.00	External Fan (IP20)	24	12W									1							
6KAF64292	\$250.00	External Fan (IP20)	33	12W										1						
6KAF64294	\$355.00	External Fan (IP20)	34	18W										2	2	2				
6KAF63407	\$455.00	External Fan (IP55)	21	22W							1	1				2	2			
6KAF63406	\$640.00	External Fan (IP55)	22	22W									1							
6KAF63865	\$645.00	External Fan (IP55)	31	26W										1	1	1				
6KAF63867	\$1235.00	External Fan (IP55)	32	22W											1	1	1			
6KAF63440	\$100.00	Internal Fan	21/23	5 8W						1	1					1	1			
6KAF63441	\$100.00	Internal Fan	22/24	5 8W									1	1						
6KAF63923	\$110.00	Internal Fan	31/32/33/34	5 8W										1	1	1	1	1		
Accessory Bags																				
6KAF61022	\$275.00	Connectors Accessory Bag	12/13	-	1	1	1	1	1	1										
6KAF61023	\$240.00	Connectors Accessory Bag	15	-	1	1	1	1	1	1										
6KAF62060	\$120.00	Connectors Accessory Bag	21	-							1	1								
6KAF62061	\$125.00	Connectors Accessory Bag	22	-									1							
6KAF60980	\$140.00	Connectors Accessory Bag	23	-										1						
6KAF61300	\$270.00	Connectors Accessory Bag	24	-							1	1								
6KAF60046	\$200.00	Connectors Accessory Bag	31	-									1	1						
6KAF60047	\$210.00	Connectors Accessory Bag	32	-										1	1					
6KAF60981	\$225.00	Connectors Accessory Bag	33	-											1	1	1			
6KAF60982	\$270.00	Connectors Accessory Bag	34	-											1	1	1			
6KAF60983	\$270.00	Connectors Accessory Bag	34	-												1	1			
6KAF60633	\$55.00	Brake and Load Sharing Connectors Bag	12/13/15	-	1	1	1	1	1	1								1		

IP 20 - 460 Vac, 3-Phase, 50/60Hz Input

IP 55/66 - 460 Vac, 3-Phase, 50/60Hz Input

Product Number	List Price GO-SRP	Description	Unit Size	Rating	Drive Hp and Quantity Per Drive															
					1/2	1	2	3	5	7.5	10	15	20	25	30	40	50	60	75	100
Main Control Card																				
6KAF61109	\$950.00	Control Card	-	-	1	1	1	1	1	1	1	1	1	1	1	1	1	1		
Keypad																				
KYPDACGP1	\$500.00	Replacement Graphical Keypad	-	-	1	1	1	1	1	1	1	1	1	1	1	1	1	1		
6KAF61007	\$45.00	Frame w/o option A or B	12/13/23	-	1	1	1	1	1	1	1	1	1	1	1	1	1	1		
6KAF61008	\$60.00	Frame w option A or B	12/13/23	-	1	1	1	1	1	1	1	1	1	1	1	1	1	1		
6KAF6028A	\$75.00	Frame	24/33/34	-										1	1	1	1	1		
6KAF63414	\$40.00	Frame	15/21/22/31/32	-	1	1	1	1	1	1	1	1	1	1	1	1	1	1		
6KAF61011	\$40.00	Terminal cover w/o option A or B	12/13	-	1	1	1	1	1	1	1	1	1	1	1	1	1	1		
6KAF61012	\$40.00	Terminal cover w option A or B	12/13	-	1	1	1	1	1	1	1	1	1	1	1	1	1	1		
6KAF61411	\$65.00	Terminal cover	23	-									1	1						
6KAF61410	\$95.00	Terminal cover	23	-									1	1						
Power Card																				
6KAF61841	\$3830.00	Power Card	21	-																
6KAF61842	\$4285.00	Power Card	21	-							1									
6KAF61823	\$4380.00	Power Card	22	-								1								
6KAF61825	\$4835.00	Power Card	22	-									1							
6KAF61845	\$1550.00	Power Card	31	-										1						
6KAF61846	\$1550.00	Power Card	31	-											1					
6KAF61847	\$1550.00	Power Card	31	-												1				
6KAF61848	\$1735.00	Power Card	32	-													1			
6KAF61849	\$1735.00	Power Card	32	-														1		
6KAF61941	\$3830.00	Power Card	23	-														1		
6KAF61942	\$4285.00	Power Card	23	-							1									
6KAF61943	\$4380.00	Power Card	24	-								1								
6KAF61944	\$4835.00	Power Card	24	-									1							
6KAF61945	\$5020.00	Power Card	24	-										1						
6KAF61946	\$1825.00	Power Card	33	-											1					
6KAF61947	\$1825.00	Power Card	33	-												1				
6KAF61948	\$1920.00	Power Card	34	-													1			
6KAF61949	\$1920.00	Power Card	34	-														1		
6KAF61843	\$2010.00	Switch Mode Power Supply	22	-														1		
6KAF61844	\$2010.00	Switch Mode Power Supply	22	-														1		
Inverter IGBTs																				
6KAF61884	\$1510.00	Dual IGBT Module	31/33	150A												3	3			
6KAF61885	\$1895.00	Dual IGBT Module	31/33	200A														3		
6KAF61886	\$2595.00	Dual IGBT Module	32/34	300A														3		



Drives

AF-650GP™ General Purpose Drive Replacement Parts

Section 15

IP 20 - 460 Vac, 3-Phase, 50/60Hz Input (continued)
 IP 55/66 - 460 Vac, 3-Phase, 50/60Hz Input (continued)

Product Number	List Price GO-SRP	Description	Unit Size	Rating	Drive Hp and Quantity Per Drive															
					1/2	1	2	3	5	7.5	10	15	20	25	30	40	50	60	75	100
Brake IGBT																				
6KAF61884	\$1510.00	Dual IGBT Module	31/33	150A											1	1	1			
6KAF61400	\$2105.00	Dual IGBT Module	32/34	200A																
6KAF61886	\$2595.00	Dual IGBT Module	32/34	300A															1	
Rectifiers																				
6KAF61887	\$820.00	Thyristor Module	31/33	180A											3	3	3			
6KAF61888	\$1130.00	Thyristor Module	32/34	240A															3	
RFI Filters																				
6KAF63378	\$680.00	RFI Filter (class A2)	21	-						1	1									
6KAF63381	\$685.00	RFI Filter (class A2)	22	-										1	1					
6KAF63427	\$40.00	RFI Filter (class A2)	31	-																
6KAF63377	\$1235.00	RFI Filter (class A1/B)	21	-						1	1				1	1	1			
6KAF63380	\$1495.00	RFI Filter (class A1/B)	22	-																
6KAF63425	\$4265.00	RFI Filter (class A1/B)	31	-										1	1					
6KAF63422	\$4750.00	RFI Filter (class A1/B)	32	-														1	1	
6KAF61412	\$1325.00	RFI Filter (class A1/B)	23	-																
6KAF61416	\$1535.00	RFI Filter (class A1/B)	24	-						1	1									
6KAF61419	\$2565.00	RFI Filter (class A1/B)	33	-										1	1	1				
6KAF61420	\$3185.00	RFI Filter (class A1/B)	34	-														1	1	
Current Transducers																				
6KAF61874	\$1310.00	Current Transducer Card	31/33	-											1	1	1			
6KAF61897	\$1620.00	Current Transducer Card	32/34	-															1	
DC Link																				
6KAF65160	\$910.00	DC Capacitors	31	3700uF																
6KAF65159	\$1050.00	DC Capacitors	31	4500uF											2					
6KAF65158	\$1275.00	DC Capacitors	31	5300uF												2				
6KAF65157	\$825.00	DC Capacitors	32	3700uF													2			
6KAF65156	\$1030.00	DC Capacitors	32	4500uF														2		
6KAF61421	\$1625.00	DC Capacitors	33	5300uF															2	
6KAF61422	\$675.00	DC Capacitors	34	3700uF															2	
6KAF61423	\$1440.00	DC Capacitors	33/34	4500uF															2	
6KAF61060	\$1200.00	DC Link Reactors	21	780uH						1										
6KAF61061	\$1260.00	DC Link Reactors	21	580uH																
6KAF61062	\$1260.00	DC Link Reactors	22	490uH							1									
6KAF61063	\$1385.00	DC Link Reactors	22	410uH										1						
6KAF61035	\$2205.00	DC Link Reactors	31	300uH																
6KAF61036	\$2630.00	DC Link Reactors	31	260uH														1		
6KAF61037	\$2960.00	DC Link Reactors	31	200uH															1	
6KAF61038	\$3535.00	DC Link Reactors	32	170uH															1	
6KAF61039	\$4090.00	DC Link Reactors	32	100uH															1	
6KAF61954	\$2015.00	DC Link Assembly	24	-															1	
6KAF61955	\$2500.00	DC Link Assembly	24	-														1	1	
Fans																				
6KAF61009	\$160.00	Fan Assembly	12	-							1	1	1	1	1					
6KAF61010	\$160.00	Fan Assembly	13	-																
6KAF61017	\$295.00	Fan Assembly	15	-							1	1	1	1	1	1	1			
6KAF63563	\$270.00	External Fan (IP20)	23	12W											1	1				
6KAF63699	\$250.00	External Fan (IP20)	24	12W																
6KAF64292	\$250.00	External Fan (IP20)	33	12W																
6KAF64294	\$355.00	External Fan (IP20)	34	18W														2	2	
6KAF63407	\$455.00	External Fan (IP55)	21	22W																
6KAF63406	\$640.00	External Fan (IP55)	22	22W							1	1								
6KAF63865	\$645.00	External Fan (IP55)	31	26W																
6KAF63867	\$1235.00	External Fan (IP55)	32	22W														1	1	
6KAF63440	\$100.00	Internal Fan	21/23	5 BW															1	
6KAF63441	\$100.00	Internal Fan	22/24	5 BW							1	1								
6KAF63923	\$110.00	Internal Fan	31/32/33/34	5 BW														1	1	
Accessory Bags																				
6KAF61022	\$275.00	Connectors Accessory Bag	12/13	-							1	1	1	1	1	1	1			
6KAF61023	\$240.00	Connectors Accessory Bag	15	-							1	1	1	1	1	1	1			
6KAF62060	\$120.00	Connectors Accessory Bag	21	-											1	1				
6KAF62061	\$125.00	Connectors Accessory Bag	22	-																
6KAF60980	\$140.00	Connectors Accessory Bag	23	-																
6KAF61300	\$270.00	Connectors Accessory Bag	24	-											1	1				
6KAF60046	\$200.00	Connectors Accessory Bag	31	-																
6KAF60047	\$210.00	Connectors Accessory Bag	32	-																
6KAF60981	\$225.00	Connectors Accessory Bag	33	-															1	
6KAF60982	\$270.00	Connectors Accessory Bag	34	-															1	
6KAF60983	\$270.00	Connectors Accessory Bag	34	-															1	
6KAF60633	\$55.00	Brake and Load Sharing Connectors Bag	12/13/15	-							1	1	1	1	1	1	1			



Drives

AF-650GP™ General Purpose Drive

Replacement Parts

Section 15

IP 00 - 575 Vac, 3-Phase, 50/60Hz Input
 IP 55/66 - 575 Vac, 3-Phase, 50/60Hz Input

Product Number	List Price GO-SRP	Description	Unit Size	Rating	Drive Hp and Quantity Per Drive												
					1	2	3	5	7.5	10	15	20	25	30	40	50	60
Main Control Card																	
6KAF61109	\$950.00	Control Card	-	-	1	1	1	1	1	1	1	1	1	1	1	1	1
Keypad																	
KYPDACGP1	\$500.00	Replacement Graphical Keypad	-	-	1	1	1	1	1	1	1	1	1	1	1	1	1
6KAF61007	\$45.00	Frame w/o option A or B	12/13/23	-	1	1	1	1	1	1	1	1	1	1	1	1	1
6KAF61008	\$60.00	Frame w option A or B	12/13/23	-	1	1	1	1	1	1	1	1	1	1	1	1	1
6KAF60284	\$75.00	Frame	24/33/34	-	1	1	1	1	1	1	1	1	1	1	1	1	1
6KAF63414	\$40.00	Frame	15/21/22/31/32	-	1	1	1	1	1	1	1	1	1	1	1	1	1
6KAF61011	\$40.00	Terminal cover w/o option A or B	12/13	-	1	1	1	1	1	1	1	1	1	1	1	1	1
6KAF61012	\$40.00	Terminal cover w option A or B	12/13	-	1	1	1	1	1	1	1	1	1	1	1	1	1
6KAF61411	\$65.00	Terminal cover	23	-							1	1					
6KAF61410	\$95.00	Terminal cover	23	-							1	1					
Power Card																	
6KAF61858	\$5020.00	Power Card	21	-							1						
6KAF61859	\$5020.00	Power Card	21	-							1						
6KAF61935	\$5200.00	Power Card	22	-							1						
6KAF61940	\$5200.00	Power Card	22	-							1						
6KAF61928	\$1735.00	Power Card	31	-							1						
6KAF61929	\$1735.00	Power Card	31	-							1						
6KAF61930	\$1735.00	Power Card	31	-							1						
6KAF61931	\$1920.00	Power Card	32	-							1						
6KAF61932	\$1920.00	Power Card	32	-							1						
6KAF61961	\$4925.00	Power Card	23	-							1						
6KAF61962	\$5110.00	Power Card	23	-							1						
6KAF61963	\$5200.00	Power Card	24	-							1						
6KAF61964	\$5300.00	Power Card	24	-							1						
6KAF61965	\$5390.00	Power Card	24	-							1						
6KAF61966	\$1825.00	Power Card	33	-							1						
6KAF61967	\$1825.00	Power Card	33	-							1						
6KAF61968	\$1920.00	Power Card	34	-							1						
6KAF61969	\$1920.00	Power Card	34	-							1						
6KAF61875	\$2085.00	Switch Mode Power Supply	22	-							1						
6KAF61876	\$2085.00	Switch Mode Power Supply	22	-							1						
Inverter IGBTs																	
6KAF61403	\$1475.00	Dual IGBT Module	31/33	100A											3		
6KAF61409	\$1745.00	Dual IGBT Module	31/33	150A											3		
6KAF61404	\$2400.00	Dual IGBT Module	32/34	200A												3	
6KAF61432	\$3950.00	Dual IGBT Module	32/34	300A													3
Brake IGBT																	
6KAF61403	\$1475.00	Dual IGBT Module	31/33	100A										1	1		
6KAF61404	\$2400.00	Dual IGBT Module	31/33	200A												1	1
Rectifiers																	
6KAF61429	\$1165.00	Thyristor Module	33	115A										3	3		
6KAF61430	\$1920.00	Thyristor Module	34	220A												3	3
RFI Filters																	
6KAF63378	\$680.00	RFI Filter (class A2)	21	-						1	1						
6KAF63381	\$685.00	RFI Filter (class A2)	22	-						1	1						
6KAF63377	\$1235.00	RFI Filter (class A1/B)	21	-										1	1		
6KAF63380	\$1495.00	RFI Filter (class A1/B)	22	-										1	1		
6KAF63425	\$4265.00	RFI Filter (class A1/B)	31	-										1	1	1	1
6KAF63422	\$4745.00	RFI Filter (class A1/B)	32	-										1	1	1	1
6KAF61412	\$1325.00	RFI Filter (class A1/B)	23	-						1	1						1
6KAF61416	\$1535.00	RFI Filter (class A1/B)	24	-						1	1						1
6KAF61419	\$2565.00	RFI Filter (class A1/B)	33	-										1	1		1
6KAF61420	\$3190.00	RFI Filter (class A1/B)	34	-										1	1		1
Current Transducers																	
6KAF61898	\$1625.00	Current Transducer Card	31/33	-										1	1	1	
6KAF61899	\$1640.00	Current Transducer Card	32/34	-													1
DC Link																	
6KAF61424	\$860.00	DC Capacitors	31/33	4500uF										2	2	2	
6KAF61425	\$1360.00	DC Capacitors	32/34	2700uF													2
6KAF61060	\$1200.00	DC Link Reactors	21	780uH						1							2
6KAF61061	\$1260.00	DC Link Reactors	21	580uH						1							
6KAF61062	\$1260.00	DC Link Reactors	22	490uH						1							
6KAF61063	\$1385.00	DC Link Reactors	22	410uH						1							
6KAF61035	\$2210.00	DC Link Reactors	31	300uH										1			
6KAF61036	\$2630.00	DC Link Reactors	31	260uH										1			
6KAF61037	\$2600.00	DC Link Reactors	31	200uH										1			
6KAF61038	\$3535.00	DC Link Reactors	32	170uH												1	
6KAF61039	\$4100.00	DC Link Reactors	32	100uH													1
6KAF61959	\$2325.00	DC Link Assembly	24	-										1	1	1	



Drives

AF-650GP™ General Purpose Drive Replacement Parts

Section 15

IP 00 - 575 Vac, 3-Phase, 50/60Hz Input (continued)

IP 55/66 - 575 Vac, 3-Phase, 50/60Hz Input (continued)

Product Number	List Price GO-SRP	Description	Unit Size	Rating	Drive Hp and Quantity Per Drive												
					1	2	3	5	7.5	10	15	20	25	30	40	50	60
Fans																	
6KAF61009	\$160.00	Fan Assembly	12	-	1	1	1	1									
6KAF61010	\$160.00	Fan Assembly	13	-					1	1							
6KAF61017	\$295.00	Fan Assembly	15	-	1	1	1	1	1	1							
6KAF63563	\$270.00	External Fan (IP20)	23	12W						1	1						
6KAF63699	\$250.00	External Fan (IP20)	24	12W								1	1	1			
6KAF64292	\$250.00	External Fan (IP20)	33	12W											2	2	
6KAF64294	\$355.00	External Fan (IP20)	34	18W													2
6KAF63407	\$455.00	External Fan (IP55)	21	22W						1	1						2
6KAF63406	\$640.00	External Fan (IP55)	22	22W													
6KAF63865	\$645.00	External Fan (IP55)	31	26W								1	1				
6KAF63867	\$1235.00	External Fan (IP55)	32	22W										1	1	1	
6KAF63440	\$100.00	Internal Fan	21/23	5 8W						2	1						1
6KAF63441	\$100.00	Internal Fan	22/24	5 8W									1	1	1		
6KAF63923	\$110.00	Internal Fan	31/32/33/34	5 8W										1	1	1	1
Accessory Bags																	
6KAF61022	\$275.00	Connectors Accessory Bag	12/13	-	1	1	1	1	1	1							
6KAF61023	\$240.00	Connectors Accessory Bag	15	-	1	1	1	1	1	1							
6KAF62060	\$120.00	Connectors Accessory Bag	21	-													
6KAF62061	\$125.00	Connectors Accessory Bag	22	-						1	1						
6KAF60980	\$140.00	Connectors Accessory Bag	23	-								1	1				
6KAF61300	\$270.00	Connectors Accessory Bag	24	-						1	1						
6KAF60046	\$200.00	Connectors Accessory Bag	31	-								1	1	1			
6KAF60047	\$210.00	Connectors Accessory Bag	32	-									1	1	1		
6KAF60981	\$225.00	Connectors Accessory Bag	33	-													1
6KAF60982	\$270.00	Connectors Accessory Bag	34	-											1	1	
6KAF60983	\$270.00	Connectors Accessory Bag	34	-													1
6KAF60633	\$55.00	Brake and Load Sharing Connectors Bag	12/13/15	-	1	1	1	1	1	1							

High Power

IP 00 - 460 Vac, 3-Phase, 50/60Hz Input

IP 21/54 - 460 Vac, 3-Phase, 50/60Hz Input

Product Number	List Price GO-SRP	Description	Unit Size	Rating	Drive Hp and Quantity Per Drive												
					125	150	200	250	300	350	450	500	550	600	650	750	900
Main Control Card																	
6KAF61109	\$950.00	Control Card	-	-	1	1	1	1	1	1	1	1	1	1	1	1	1
Keypad																	
KYPDACGP1	\$500.00	Replacement Graphical Keypad	-	-	1	1	1	1	1	1	1	1	1	1	1	1	1
6KAF63414	\$40.00	Frame	-	-	1	1	1	1	1	1	1	1	1	1	1	1	1
Power Card																	
6KAF6H8643	\$2100.00	PCA3 - Power Card	-	-	1												
6KAF6H8644	\$2100.00	PCA3 - Power Card	-	-		1											
6KAF6H8645	\$2100.00	PCA3 - Power Card	-	-			1										
6KAF6H8646	\$2100.00	PCA3 - Power Card	-	-				1									
6KAF6H8647	\$2100.00	PCA3 - Power Card	-	-					1								
6KAF6H8648	\$2100.00	PCA3 - Power Card	-	-						1							
6KAF6H8649	\$2100.00	PCA3 - Power Card	-	-							1						
6KAF6H8650	\$2100.00	PCA3 - Power Card	-	-								1					
6KAF6H8651	\$2100.00	PCA3 - Power Card	-	-									1				
6KAF6H8780	\$2625.00	PCA3 - Power Card	-	-										1			
6KAF6H8781	\$2625.00	PCA3 - Power Card	-	-											3		
6KAF6H8782	\$2625.00	PCA3 - Power Card	-	-												3	
6KAF6H8783	\$2625.00	PCA3 - Power Card	-	-													3
6KAF6H8784	\$2625.00	PCA3 - Power Card	-	-													
6KAF6H8785	\$2625.00	PCA3 - Power Card	-	-													
6KAF6H8308	\$95.00	PCAA - Current Scaling PCA, 4 54 Ohm	-	-	1												
6KAF6H8309	\$95.00	PCAA - Current Scaling PCA, 3 79 Ohm	-	-		1											
6KAF6H8310	\$100.00	PCAA - Current Scaling PCA, 3 10 Ohm	-	-			1										
6KAF6H8311	\$95.00	PCAA - Current Scaling PCA, 2 56 Ohm	-	-				1									
6KAF6H8312	\$100.00	PCAA - Current Scaling PCA, 5 10 Ohm	-	-					1							2	
6KAF6H8554	\$100.00	PCAA - Current Scaling PCA, 4 21 Ohm	-	-						1							3
6KAF6H8627	\$135.00	PCAA - Current Scaling PCA, 2 32 Ohm	-	-							1						3
6KAF6H8773	\$1840.00	MOCII board, CC	-	-									1				2
6KAF6H8626	\$1650.00	PCAS - Gate Drive PCA,CC	-	-	1	1	1	1	1	1	1	1	1	1	1	1	1
6KAF6H8307	\$215.00	PCAB - HF PCA	-	-	1	1	1	1	1	1	1	1	1	1	1	1	1
6KAF6H8306	\$1535.00	PCA11 - Softcharge PCA,CC	-	-	1	1	1	1	1	1	1	1	1	1	1	1	1
6KAF6H8555	\$1550.00	PCA11 - Softcharge PCA,CC	-	-													
6KAF6H8510	\$240.00	PCA9 - Balance PCA	-	-	1	1	1	2	2	2	2	2	2	2	2	2	2



Drives

AF-650GP™ General Purpose Drive Replacement Parts

Section 15

IP 00 - 460 Vac, 3-Phase, 50/60Hz Input (continued)

IP 21/54 - 460 Vac, 3-Phase, 50/60Hz Input (continued)

Product Number	List Price GO-SRP	Description	Unit Size	Rating	Drive Hp and Quantity Per Drive												
					125	150	200	250	300	350	450	500	550	600	650	750	900
Inverter IGBTs																	
6KAF6H8628	\$5700.00	IGBT 1, 2 - IGBT kit, 300A	-	-		1	2	2									
6KAF6H8629	\$7630.00	IGBT 1, 2 - IGBT kit, 450A	-	-		1			2								
6KAF6H8630	\$5740.00	IGBT 1, 2, 3 - IGBT kit, 300A	-	-						3							
6KAF6H8631	\$7790.00	IGBT 1, 2, 3 - IGBT kit, 450A	-	-							3	3	3				
6KAF6H8323	\$105.00	C 2,3,4,5,6,7,8,9,10 - CAP IGBT Snubber, 1000V, 1µF	-	-		3	3	6	6	6	9	9	9	9			
6KAF6H8749	\$107800.00	Inverter Module	-	-										2			
6KAF6H8750	\$127300.00	Inverter Module	-	-											2		
6KAF6H8751	\$144000.00	Inverter Module	-	-												2	
6KAF6H8752	\$171250.00	Inverter Module	-	-													2
6KAF6H8753	\$127300.00	Inverter Module	-	-													2
6KAF6H8754	\$144000.00	Inverter Module	-	-													3
Brake IGBT																	
6KAF6H8316	\$3370.00	IGBT T4.5 - Brake IGBT kit	-	-		1	1	2	2	2	2	2	2	2			
Rectifiers																	
6KAF6H8317	\$1400.00	SCR 1, 2, 3 - SCR/Diode kit, 160A	-	-		3	3										
6KAF6H8318	\$1435.00	SCR 1, 2, 3 - SCR/Diode kit, 175A	-	-				3									
6KAF6H8319	\$2275.00	SCR 1, 2, 3 - SCR/Diode kit, 250A	-	-					3								
6KAF6H8320	\$2460.00	SCR 1, 2, 3 - SCR/Diode kit, 330A	-	-						3							
6KAF6H8558	\$2620.00	SCR 1, 2, 3 - SCR kit, 500A	-	-							3	3	3	3			
6KAF6H8559	\$2340.00	D 1, 2, 3 - Diode kit, 600A	-	-								3	3	3	3		
6KAF6H8718	\$101810.00	Rectifier Module	-	-											1		
6KAF6H8719	\$101810.00	Rectifier Module	-	-												1	
6KAF6H8720	\$137000.00	Rectifier Module	-	-													1
6KAF6H8721	\$137000.00	Rectifier Module	-	-													1
6KAF6H8722	\$185000.00	Rectifier Module	-	-													1
6KAF6H8723	\$185000.00	Rectifier Module	-	-													1
Current Transducers																	
6KAF6H8342	\$525.00	L2, 3, 4 - Current Sensor, 300A	-	-		3	3	3	3								
6KAF6H8343	\$755.00	L2, 3, 4 - Current Sensor, 500A	-	-						3	3						
6KAF6H8563	\$1925.00	L2, 3, 4 - Current Sensor, 1000A	-	-								3	3	3			
DC Link																	
6KAF6H8324	\$4570.00	CBANK 1, 2 - CAP Bank, 4 Cap	-	-		1		2	1								
6KAF6H8325	\$6115.00	CBANK 1, 2 - CAP Bank, 6 Cap	-	-			1	1		1							
6KAF6H8636	\$8410.00	CBANK 1, 2 - CAP Bank, 6 Cap	-	-							2	1					
6KAF6H8637	\$9570.00	CBANK 1, 2 - CAP Bank, 8 Cap	-	-								1	2	2			
6KAF6H8337	\$3185.00	L1 - Bus Inductor, 200uH	-	-		1											
6KAF6H8338	\$3380.00	L1 - Bus Inductor, 157uH	-	-			1										
6KAF6H8339	\$3720.00	L1 - Bus Inductor, 136uH	-	-				1									
6KAF6H8340	\$3950.00	L1 - Bus Inductor, 109uH	-	-					1								
6KAF6H8341	\$4175.00	L1 - Bus Inductor, 87uH	-	-						1							
6KAF6H8564	\$6600.00	L1 - Bus Inductor, 62uH	-	-							1						
6KAF6H8565	\$7140.00	L1 - Bus Inductor, 51uH	-	-								1					
6KAF6H8322	\$515.00	R1 - Softcharge Resistor, 27 Ohm, 110W	-	-		1	1	1	1	1		1	1	1			
6KAF6H8560	\$575.00	R1 - Softcharge Resistor, 27 Ohm, 155W	-	-								1	1	1	1		
Fuses																	
6KAF6H8334	\$300.00	FU 1, 2, 3 - Fuse Main, 350A	-	-		3	3										
6KAF6H8335	\$345.00	FU 1, 2, 3 - Fuse Main, 630A	-	-						3	3	3					
6KAF6H8591	\$560.00	FU 1, 2, 3 - Fuse Main, 700A	-	-									3				
6KAF6H8592	\$840.00	FU 1, 2, 3 - Fuse Main, 900A	-	-										3			
6KAF6H8769	\$3460.00	Fuse Mains, 2000A	-	-											3	3	3
6KAF6H8770	\$3860.00	Fuse Mains, 2500A	-	-												3	3
6KAF6H8767	\$1555.00	Fuse DC, 1100A	-	-													3
6KAF6H8768	\$1370.00	Fuse DC, 1400 A	-	-													4
6KAF6H8336	\$130.00	Fuse Softcharge, 20A, PKG3	-	-													4
6KAF6H8440	\$78.00	FU 5 - Fuse, 4A, PKG3, Power PCA, Fan	-	-		1	1	1	1	1	1	1	1	1			6
6KAF6H8440	\$78.00	FU 4 - Fuse, 4A, PKG3, Power PCA, Fan	-	-		1	1	1	1	1	1	1	1	1			6
6KAF6H8609	\$225.00	FU 4 - Fuse, 15A, PKG3, Fan	-	-													1
Fans																	
6KAF6H8329	\$2185.00	F1+C1 - Heatsink Fan Assy	-	-		1	1	1	1	1							
6KAF6H8578	\$4270.00	F1+C1 - Heatsink Fan Assy	-	-													1
6KAF6H8579	\$9975.00	F1+C1 - Heatsink Fan Assy	-	-													1
6KAF6H8771	\$2990.00	Heatsink Fan	-	-								1	1	1			
6KAF6H8330	\$1580.00	F 2,3 - Door Fan Kit	41/42/51	-		1	1	1	1	1	1	1	1	1	1	1	1
6KAF6H8331	\$170.00	Door Vent Kit	41/42/51	-		1	1	1	1	1	1	1	1	1	1	1	1
6KAF6H8332	\$155.00	Door Fan Filter, PKG10 (IP54/Nema 12 Drive)	41/42/51	-		1	1	1	1	1	1	1	1	1	1	1	1
6KAF6H8639	\$225.00	F 4 - DC Top Fan, IP00/Open Chassis Drive	43/44	-		1	1	1	1	1	1	1	1	1	1	1	1
6KAF6H8333	\$1150.00	F 2 - Door/Top AC Fan	52	-													1
6KAF6H8333	\$1150.00	F 2,3 - Door/Top AC Fan	41/42/51	-		1	1	1	1	1	1	1	1	1	1	1	1
6KAF6H8772	\$4250.00	Fan Door	-	-													3
6KAF6H8612	\$770.00	FU 5 - Fuse Fan, Input Plate	-	-													3
6KAF6H8344	\$500.00	TR 1 - Fan Transformer Assy, 500V	-	-		1	1	1	1	1	1	1	1	1	1	1	1
6KAF6H8566	\$580.00	TR 1 - Fan Transformer Assy	-	-		1	1	1	1	1	1	1	1	1	1	1	1
6KAF6H8567	\$1990.00	TR 1 - Fan Transformer Assy, 1500VA	-	-													1
6KAF6H8577	\$1410.00	L5 - Heatsink Fan Inductor	-	-													1



Drives

AF-650GP™ General Purpose Drive

Replacement Parts

Section 15

IP 00 - 690 Vac, 3-Phase, 50/60Hz Input
 IP 21/54 - 690 Vac, 3-Phase, 50/60Hz Input

Product Number	List Price GO-SRP	Description	Unit Size	Rating	Drive Hp and Quantity Per Drive																	
					125	150	200	250	300	350	400	500	600	650	750	900	1000	1150	1250	1350		
Main Control Card																						
6KAF61109	\$950.00	Control Card	-	-	1	1	1	1	1	1	1	1	1	1	1	1	1					
Keypad																						
KYPDACGP1	\$500.00	Replacement Graphical Keypad	-	-	1	1	1	1	1	1	1	1	1	1	1	1	1					
6KAF61007	\$45.00	Frame	-	-	1	1	1	1	1	1	1	1	1	1	1	1	1					
Power Card																						
6KAF6H8696	\$2100.00	Power Card	-	-	1																	
6KAF6H8680	\$2100.00	Power Card	-	-		1																
6KAF6H8681	\$2100.00	Power Card	-	-			1															
6KAF6H8682	\$2100.00	Power Card	-	-				1														
6KAF6H8683	\$2100.00	Power Card	-	-					1													
6KAF6H8684	\$2100.00	Power Card	-	-						1												
6KAF6H8685	\$2100.00	Power Card	-	-							1											
6KAF6H8686	\$2100.00	Power Card	-	-								1										
6KAF6H8687	\$2100.00	Power Card	-	-									1									
6KAF6H8688	\$2100.00	Power Card	-	-										1								
6KAF6H8689	\$2100.00	Power Card	-	-											1							
6KAF6H8792	\$2625.00	Power Card	-	-												1						
6KAF6H8793	\$2625.00	Power Card	-	-													3					
6KAF6H8794	\$2625.00	Power Card	-	-														3				
6KAF6H8795	\$2625.00	Power Card	-	-															3			
6KAF6H8796	\$2625.00	Power Card	-	-																4		
6KAF6H8308	\$95.00	PCAA - Current Scaling PCA, 4 54 Ohm	-	-																	4	
6KAF6H8309	\$95.00	PCAA - Current Scaling PCA, 3 79 Ohm	-	-																		3
6KAF6H8310	\$95.00	PCAA - Current Scaling PCA, 3 10 Ohm	-	-																		
6KAF6H8311	\$95.00	PCAA - Current Scaling PCA, 2 56 Ohm	-	-																		
6KAF6H8312	\$95.00	PCAA - Current Scaling PCA, 5 10 Ohm	-	-																		
6KAF6H8525	\$95.00	PCAA - Current Scaling PCA, 5 85 Ohm	-	-																		
6KAF6H8773	\$1840.00	MDCIC Board, CC	-	-	1	1																
6KAF6H8626	\$1640.00	PCAS - Gate Drive PCA CC	-	-	1	1	1	1	1	1	1	1	1	1	1	1	1	1	1	1	1	1
6KAF6H8523	\$215.00	PCAB - HF PCA	-	-	1	1	1	1	1	1	1	1	1	1	1	1	1	1	1	1	1	1
6KAF6H8522	\$1535.00	PCA11 - Softcharge PCA, CC	-	-	1	1	1	1	1	1	1	1	1	1	1	1	1	1	1	1	1	1
6KAF6H8466	\$1535.00	PCA11 - Softcharge PCA, CC	-	-	1	1	1	1	1	1	1	1	1	1	1	1	1	1	1	1	1	1
6KAF6H8526	\$250.00	PCA9 - Balance, PCA	-	-	1	1	1	2	2	2	2	2	2	2	2	2	2	2	2	2	2	2
Inverter IGBTs																						
6KAF6H8632	\$8300.00	IGBT 1, 2 - IGBT kit, 300A	-	-	1	1		2	2													
6KAF6H8633	\$10815.00	IGBT 1, 2 - IGBT kit, 50A	-	-			1			2	2											
6KAF6H8634	\$8440.00	IGBT 1, 2, 3 - IGBT kit, 300A	-	-							2	2										
6KAF6H8635	\$10975.00	IGBT 1, 2, 3 - IGBT kit, 450A	-	-									3	3								
6KAF6H8534	\$160.00	C2,3,4,5,6,7,8,9,10 - CAP IGBT Snubber, 1250V, 1uF	-	-	3	3	3	6	6	6	6	9	9	9	9	9	9	9	9	9	9	9
6KAF6H8760	\$196925.00	Inverter Module	-	-																		
6KAF6H8761	\$291985.00	Inverter Module	-	-																		
6KAF6H8762	\$322260.00	Inverter Module	-	-																		
6KAF6H8763	\$196925.00	Inverter Module	-	-																		
6KAF6H8764	\$291985.00	Inverter Module	-	-																		
Brake IGBT																						
6KAF6H8316	\$3370.00	IGBT A, S - Brake IGBT kit	-	-	1	1	1	2	2	2	2	2	2	2	2	2	2	2	2	2	2	2
Rectifiers																						
6KAF6H8529	\$1415.00	SCR 1, 2, 3 - SCR/Diode kit, 160A	-	-	3	3	3	3														
6KAF6H8530	\$2830.00	SCR 1, 2, 3 - SCR/Diode kit, 280A	-	-																		
6KAF6H8434	\$3360.00	SCR 1, 2, 3 - SCR kit, 430A	-	-																		
6KAF6H8435	\$4290.00	D 1, 2, 3 - Diode kit, 540A	-	-																		
6KAF6H8729	\$265810.00	Rectifier Module	-	-																		
6KAF6H8730	\$265810.00	Rectifier Module	-	-																		
6KAF6H8731	\$265810.00	Rectifier Module	-	-																		
6KAF6H8732	\$357675.00	Rectifier Module	-	-																		
6KAF6H8733	\$357675.00	Rectifier Module	-	-																		
Current Transducers																						
6KAF6H8342	\$525.00	L2, 3, 4 - Current Sensor, 300A	-	-	3	3	3	3	3	3												
6KAF6H8343	\$750.00	L2, 3, 4 - Current Sensor, 500A	-	-																		
6KAF6H8563	\$1925.00	L2, 3, 4 - Current Sensor, 1000A	-	-																		
DC Link																						
6KAF6H8532	\$5420.00	CBANK 1, 2 - CAP Bank, 4 Cap	-	-	1	1		2	2	1												
6KAF6H8533	\$7360.00	CBANK 1, 2 - CAP Bank, 6 Cap	-	-																		
6KAF6H8638	\$12310.00	CBANK 1, 2 - CAP Bank, 8 Cap	-	-																		
6KAF6H8536	\$3435.00	L1 - Bus Inductor, 350uH	-	-																		
6KAF6H8537	\$3550.00	L1 - Bus Inductor, 250uH	-	-	1	1																
6KAF6H8538	\$3975.00	L1 - Bus Inductor, 195uH	-	-																		
6KAF6H8339	\$3720.00	L1 - Bus Inductor, 136uH	-	-																		
6KAF6H8340	\$3950.00	L1 - Bus Inductor, 109uH	-	-																		
6KAF6H8469	\$8730.00	L1 - Bus Inductor, 73uH	-	-																		
6KAF6H8531	\$565.00	R1 - Softcharge Resistor, 68 Ohm, 110W	-	-																		
6KAF6H8467	\$550.00	R1 - Softcharge Resistor, 68 Ohm, 155W	-	-	1	1	1	1	1	1	1	1	1	1	1	1	1	1	1	1	1	1



Drives

AF-650GP™ General Purpose Drive Replacement Parts

Section 15

IP 00 - 690 Vac, 3-Phase, 50/60Hz Input (continued)

IP 21/54 - 690 Vac, 3-Phase, 50/60Hz Input (continued)

Product Number	List Price GO-SRP	Description	Unit Size	Rating	Drive Hp and Quantity Per Drive														
					125	150	200	250	300	350	400	500	600	650	750	900	1000	1150	1250
Fuses																			
6KAF6H8334	\$300.00	FU 1, 2, 3 - Fuse Main, 350A	-	-		3	3	3											
6KAF6H8591	\$560.00	FU 1, 2, 3 - Fuse Main, 700A	-	-								3	3	3					
6KAF6H8592	\$850.00	FU 1, 2, 3 - Fuse Main, 900A	-	-															
6KAF6H8540	\$570.00	FU 1, 2, 3 - Fuse Main, 550A	-	-															
6KAF6H8769	\$3560.00	Fuse Mains, 2000A	-	-				3	3	3	3								
6KAF6H8767	\$1555.00	Fuse DC, 1100A	-	-												3	3	3	3
6KAF6H8336	\$130.00	Fuse Softcharge, 20A, PKG3	-	-												4	4	4	6
6KAF6H8440	\$80.00	FU 5 - Fuse, 4A, PKG3, Power PCA, Fan	-	-		1	1	1	1	1	1	1	1	1	1	1	1	1	1
6KAF6H8440	\$80.00	FU 4 - Fuse, 4A, PKG3, Power PCA, Fan	-	-		1	1	1	1	1	1	1	1	1	1	1	1	1	1
6KAF6H8609	\$225.00	FU 4 - Fuse, 15A, PKG3, Fan	-	-														1	1
Fans																			
6KAF6H8329	\$2185.00	F1+C1 - Heatsink Fan Assy	-	-		1	1	1	1	1	1	1	1	1	1	1	1	1	1
6KAF6H8578	\$4275.00	F1+C1 - Heatsink Fan Assy	-	-															
6KAF6H8579	\$9975.00	F1+C1 - Heatsink Fan Assy	-	-															
6KAF6H8771	\$2990.00	Heatsink Fan	-	-															
6KAF6H8330	\$1580.00	F 2,3 - Door Fan Kit	41/42/51	-		1	1	1	1	1	1	1	1	1	1	1	1	1	1
6KAF6H8331	\$170.00	Door Vent kit	41/42/51	-		1	1	1	1	1	1	1	1	1	1	1	1	1	1
6KAF6H8332	\$150.00	Door Fan Filter, PKG10 IIP54/Nema 12 Drive	41/42/51	-		1	1	1	1	1	1	1	1	1	1	1	1	1	1
6KAF6H8639	\$225.00	F 4 - DC Top Fan, IP00/Open Chassis	43/44	-		1	1	1	1	1	1	1	1	1	1	1	1	1	1
6KAF6H8333	\$1150.00	F 2 - Door/Top AC Fan	52	-															
6KAF6H8333	\$1150.00	F 2, 3 - Door/Top AC Fan	41/42/51	-		1	1	1	1	1	1	1	1	1	1	1	1	1	1
6KAF6H8772	\$4250.00	Door Fan	-	-															
6KAF6H8535	\$800.00	TR1 - Fan Transformer Assy, 690V, 400VA	-	-		1	1	1	1	1	1	1	1	1	1	1	1	1	1
6KAF6H8471	\$570.00	TR 1 - Fan Transformer Assy	-	-															
6KAF6H8577	\$1410.00	L5 - Heatsink Fan Inductor	-	-															

High Power Cables

IP 00 - 460 Vac, 3-Phase, 50/60Hz Input

IP 21/54 - 460 Vac, 3-Phase, 50/60Hz Input

Product Number	List Price GO-SRP	Description	Unit Size	Drive Hp and Quantity Per Drive									
				125	150	200	250	300	350	450	500	550	
Cables													
6KAF6H8640	\$70.00	CBL1 - Keypad Cable for IP54/Nema 12 Drive Type	41/42	1	1	1	1	1	1	1	1	1	1
6KAF6H8586	\$75.00	CBL1 - Keypad Cable	5X										
6KAF6H8641	\$80.00	CBL2 - Control Cable PCA, 44pin	4X & 5X	1	1	1	1	1	1	1	1	1	1
6KAF6H8541	\$185.00	CBL5 - Current Sensor Cable	4K	1	1								
6KAF6H8349	\$365.00	CBL5 - Current Sensor Cable	42			1	1	1	1	1	1	1	1
6KAF6H8568	\$235.00	CBL5 - Current Sensor Cable	5X										
6KAF6H8569	\$245.00	CBL5 - Current Sensor Cable	5X										
6KAF6H8542	\$75.00	CBL8 - HS Fan Cable	41	1	1						1	1	1
6KAF6H8359	\$100.00	CBL8 - HS Fan Cable	42			1	1	1	1	1	1	1	1
6KAF6H8571	\$80.00	CBL8 - Fan Cable for IP00/Open Chassis Drive Type	51										
6KAF6H8572	\$120.00	CBL8 - Fan Cable for IP54/Nema 12 Drive Type	52										
6KAF6H8573	\$85.00	CBL8 - Fan Cable for IP00/Open Chassis Drive Type	51										
6KAF6H8574	\$125.00	CBL8 - Fan Cable for IP54/Nema 12 Drive Type	52										
6KAF6H8354	\$60.00	CBL9 - Softcharge Cable RST prime	4K	1	1	1	1	1	1	1	1	1	1
6KAF6H8570	\$55.00	CBL9 - Softcharge Cable RST prime	5X										
6KAF6H8358	\$55.00	CBL12 - Door Fan Cable	41/42	1	1	1	1	1	1	1	1	1	1
6KAF6H8544	\$110.00	CBL13 - SCR Cable	41	1	1								
6KAF6H8357	\$110.00	CBL13 - SCR Cable	42			1	1	1	1	1	1	1	1
6KAF6H8575	\$205.00	CBL13 - SCR Cable	5X										
6KAF6H8356	\$45.00	CBL14 - DC to Power PCA Cable	4K	1	1	1	1	1	1	1	1	1	1
6KAF6H8576	\$50.00	CBL14 - DC to Power PCA Cable	5X										
6KAF6H8830	\$20.00	CBL15 - RFI Switch Cable	4X	1	1	1	1	1	1	1	1	1	1
6KAF6H8580	\$65.00	CBL15 - RFI Switch Cable	5X										
6KAF6H8363	\$30.00	CBL16 - Gate Driver Cable, 16pin	41	1	1								
6KAF6H8350	\$41.00	CBL16 - Gate Driver Cable, 16pin	42			1	1	1	1	1	1	1	1
6KAF6H8581	\$45.00	CBL16 - Gate Driver Cable, 16pin	5X										
6KAF6H8364	\$60.00	CBL17, 18, 19 IGBT Gate Cable	41	3	3								
6KAF6H8351	\$95.00	CBL17, 18, 19 - IGBT Gate Cable	42			3	3	3	3	3	3	3	3
6KAF6H8582	\$40.00	CBL17, 18, 19 - IGBT Gate Cable	51										
6KAF6H8352	\$65.00	CBL20 - IGBT Temperature Cable	-	1	1	1	1	1	1	1	1	1	1
6KAF6H8365	\$40.00	CBL21 - Brake IGBT Cable	41	1	1								
6KAF6H8368	\$65.00	CBL21 - Brake IGBT Cable	42			1	1	1	1	1	1	1	1
6KAF6H8583	\$85.00	CBL21 - Brake IGBT Cable	5X										
6KAF6H8366	\$320.00	CBL22 - Brake Power Plus Cable	41	1	1								
6KAF6H8369	\$595.00	CBL22 - Brake Power Plus Cable	42			1	1	1	1	1	1	1	1
6KAF6H8367	\$320.00	CBL23 - Brake Power Minus Cable	41	1	1								
6KAF6H8370	\$550.00	CBL23 - Brake Power Minus Cable	42			1	1	1	1	1	1	1	1
6KAF6H8543	\$55.00	CBL24 - Softcharge RST Cable	41	1	1								



Drives

AF-650GP™ General Purpose Drive Replacement Parts

Section 15

IP 00 - 460 Vac, 3-Phase, 50/60Hz Input (continued)
 IP 21/54 - 460 Vac, 3-Phase, 50/60Hz Input (continued)

Product Number	List Price GO-SRP	Description	Unit Size	Drive Hp and Quantity Per Drive										
				125	150	200	250	300	350	450	500	550		
Cables (continued)														
6KAF6H8353	\$75.00	CBL24 - Softcharge RST Cable	42			1	1	1						
6KAF6H8584	\$45.00	CBL24 - Softcharge RST Cable	5X						1	1	1	1	1	1
6KAF6H8355	\$45.00	CBL25 - Softcharge to DC Bus Cable	4X	1	1	1	1	1						
6KAF6H8585	\$40.00	CBL25 - Softcharge to DC Bus Cable	5X								1	1	1	1
6KAF6H8613	\$65.00	CBL26 - Fuse Fan Cable	5X								1	1	1	1
Terminals, Labels, Insulators														
6KAF6H8374	\$215.00	TB1 - Bus Bars Terminals Line/Load	4X	3	3									
6KAF6H8375	\$260.00	TB1 - Bus Bars Terminals Line/Load	4X			3	3	3						
6KAF6H8587	\$690.00	TB1 - Bus Bars Terminal Block	5X								3	3	3	3
6KAF6H8374	\$215.00	TB2 - Bus Bars Terminals Line/Load	4X	3	3									
6KAF6H8375	\$255.00	TB2 - Bus Bars Terminals Line/Load	4X			3	3	3						
6KAF6H8587	\$690.00	TB2 - Bus Bars Terminal Block	5X								3	3	3	3
6KAF6H8395	\$260.00	TB3 - Bus Bars Terminal Load Share & Brake	4X	2	2	2	2	2						
6KAF6H8399	\$410.00	TB3 - Bus Bars Terminal Load Share Left	4X								1	1	1	1
6KAF6H8404	\$415.00	TB3 - Bus Bars Terminal Load Share Right	4X								1	1	1	1
6KAF6H8395	\$260.00	TB4 - Bus Bars Terminal Load Share & Brake	4X	2	2									
6KAF6H8399	\$410.00	TB4 - Bus Bars Terminal Load Share Left	4X			1	1	1						
6KAF6H8404	\$415.00	TB4 - Bus Bars Terminal Load Share Right	4X			1	1	1						
6KAF6H8587	\$690.00	TB4 - Bus Bars Terminal Block	5X								2	2	2	2
6KAF6H8371	\$135.00	TB1 - Terminal Insulator Line/Load	4X	1	1	1	1	1						
6KAF6H8588	\$155.00	TB1 - Insulator Terminal Block	5X								3	3	3	3
6KAF6H8371	\$135.00	TB2 - Terminal Insulator Line/Load	4X	1	1	1	1	1						
6KAF6H8588	\$155.00	TB2 - Insulator Terminal Block	5X								3	3	3	3
6KAF6H8372	\$80.00	TB3 - Terminal Insulator Brake & Load Share	4X	1	1	1	1	1	1	1	1	1	1	1
6KAF6H8372	\$80.00	TB4 - Terminal Insulator Brake & Load Share	4X	1	1	1	1	1						
6KAF6H8588	\$155.00	TB4 - Insulator Terminal Block	5X								2	2	2	2
6KAF6H8373	\$155.00	Terminal Block Label Set	4X	1	1	1	1	1						
6KAF6H8589	\$1460.00	Terminal Block Label Set	5X								1	1	1	1
6KAF6H8545	\$60.00	Insulator Mylar for IGBT Bus	41	1	1									
6KAF6H8421	\$65.00	Insulator Mylar for IGBT Bus	42			1	1	1						
6KAF6H8590	\$150.00	Insulator for IGBT Chassis	5X								1	1	1	1
6KAF6H8547	\$30.00	Insulator for IGBT Snubber Capacitor Support	-	1	1	2	2	2						
6KAF6H8410	\$285.00	Bus Bar Stand Off, PKG10	-	12	12	17	17	17	11	11	11	11	11	11
6KAF6H8610	\$230.00	IGBT Output Standoff, PKG9	5X								9	9	9	9
Bus Bars														
6KAF6H8380	\$145.00	Bus Bars SCR RST	4X	3	3									
6KAF6H8548	\$95.00	Bracket SCR Bus Bars Support	4X	1	1									
6KAF6H8394	\$210.00	Bus Bars SCR Input	4X			3								
6KAF6H8387	\$180.00	Bus Bars SCR Plus 1	4X				3	3						
6KAF6H8595	\$1270.00	Bus Bars SCR/DI Input	5X								3	3	3	3
6KAF6H8379	\$620.00	Bus Bars Assy SCR	4X	1	1									
6KAF6H8381	\$150.00	Bus Bars SCR Minus	4X	2	2									
6KAF6H8393	\$325.00	Bus Bars SCR DC	-			2								
6KAF6H8385	\$290.00	Bus Bars SCR Minus 1	4X				2	2						
6KAF6H8386	\$380.00	Bus Bars SCR Minus 2	4X			1	1	1						
6KAF6H8388	\$380.00	Bus Bars SCR Plus 2	4X			1	1	1						
6KAF6H8596	\$1535.00	Bus Bars SCR/DI Output	5X								2	2	2	2
6KAF6H8597	\$2500.00	Bus Bars DC Bus Plus Before DC Reactor	5X								1	1	1	1
6KAF6H8598	\$2500.00	Bus Bars DC Bus Minus Before DC Reactor	5X								1	1	1	1
6KAF6H8549	\$150.00	Bus Bars DC Link Plus	4X	1	1									
6KAF6H8391	\$190.00	Bus Bars DC Link Plus	4X	1	1									
6KAF6H8382	\$265.00	Bus Bars DC Link Minus	4X			2	2	2						
6KAF6H8599	\$715.00	Bus Bars DC Bus After DC Reactor	5X								2	2	2	2
6KAF6H8376	\$670.00*	Bus Bars Assy IGBT	4X	1	1									
6KAF6H8377	\$675.00	Bus Bars Assy IGBT-Inductor	4X			1	1	1						
6KAF6H8378	\$690.00	Bus Bars Assy IGBT-Capacitor	4X			1	1	1						
6KAF6H8600	\$3675.00	Bus Bars Assy IGBT-Inductor	5X								1	1	1	1
6KAF6H8601	\$865.00	Bus Bars Assy IGBT-Capacitor	5X								3	3	3	3
6KAF6H8390	\$100.00	Bus Bars IGBT U V W	4X	3	3									
6KAF6H8392	\$230.00	Bus Bars Motor 2	4X	3	3									
6KAF6H8383	\$260.00	Bus Bars Motor U V	4X			2	2	2						
6KAF6H8384	\$215.00	Bus Bars Motor V	4X			1	1	1						
6KAF6H8389	\$220.00	Bus Bars I-Sensor	4X			3	3	3						
6KAF6H8602	\$1175.00	Bus Bars IGBT Output	5X								3	3	3	3
6KAF6H8603	\$1180.00	Bus Bars Over Fan Box	5X								3	3	3	3
6KAF6H8604	\$530.00	Bus Bars Current Sensor 5352	5X								3			
6KAF6H8605	\$550.00	Bus Bars Current Sensor 5452-5502	4X									3	3	3
6KAF6H8397	\$190.00	Bus Bars Brake Plus	4X	1	1									
6KAF6H8398	\$210.00	Bus Bars Brake Minus	4X	1	1									
6KAF6H8396	\$320.00	Bus Bars Brake	4X			1	1	1						



Drives

AF-650GP™ General Purpose Drive

Replacement Parts

Section 15

IP 00 - 460 Vac, 3-Phase, 50/60Hz Input (continued)

IP 21/54 - 460 Vac, 3-Phase, 50/60Hz Input (continued)

Product Number	List Price GO-SRP	Description	Unit Size	Drive Hp and Quantity Per Drive								
				125	150	200	250	300	350	450	500	550
Bus Bars (continued)												
6KAF6H8606	\$8620.00	Bus Bars, Brake Assy	5X						1	1	1	1
6KAF6H8401	\$475.00	Bus Bars, Load Share Plus	4X	1	1							
6KAF6H8400	\$460.00	Bus Bars, Load Share Minus	4X	1	1							
6KAF6H8403	\$855.00	Bus Bars, Load Share Plus	4X			1	1	1				
6KAF6H8402	\$655.00	Bus Bars, Load Share Minus	4X			1	1	1				
6KAF6H8607	\$2055.00	Bus Bars, Load Share Plus	5X						1	1	1	1
6KAF6H8608	\$2070.00	Bus Bars, Load Share Minus	5X						1	1	1	1
6KAF6H8405	\$1370.00	Bus Bars, SCR Input 2	4X	3	3							
6KAF6H8406	\$835.00	Bus Bars, SCR T. 1	4X			3	3	3				

IP 00 - 690 Vac, 3-Phase, 50/60Hz Input

IP 21/54 - 690 Vac, 3-Phase, 50/60Hz Input

Product Number	List Price GO-SRP	Description	Unit Size	Drive Hp and Quantity Per Drive										
				125	150	200	250	300	350	450	500	550	600	650
Cables														
6KAF6H8640	\$70.00	CBL1 - Keypad Cable for IP54/Nema 12 Drive Type	41/42		1	1	1	1	1	1	1			
6KAF6H8586	\$75.00	CBL1 - Keypad Cable	5X									1	1	1
6KAF6H8641	\$80.00	CBL2 - Control Cable PCA, 44pin	4X & 5X	1	1	1	1	1	1	1	1	1	1	1
6KAF6H8541	\$185.00	CBL5 - Current Sensor Cable	4X	1	1	1								
6KAF6H8349	\$365.00	CBL5 - Current Sensor Cable	42				1	1	1	1				
6KAF6H8568	\$235.00	CBL5 - Current Sensor Cable	5X								1	1	1	
6KAF6H8569	\$245.00	CBL5 - Current Sensor Cable	5X											1
6KAF6H8542	\$75.00	CBL8 - HS Fan Cable	41		1	1	1							
6KAF6H8359	\$100.00	CBL8 - HS Fan Cable	42				1	1	1	1				
6KAF6H8571	\$80.00	CBL8 - Fan Cable for IP00/Open Chassis Drive Type	51								1	1		
6KAF6H8572	\$120.00	CBL8 - Fan Cable for IP54/Nema 12 Drive Type	52								1	1		
6KAF6H8573	\$85.00	CBL8 - Fan Cable for IP00/Open Chassis Drive Type	51										1	1
6KAF6H8574	\$125.00	CBL8 - Fan Cable for IP54/Nema 12 Drive Type	52										1	1
6KAF6H8354	\$60.00	CBL9 - Softcharge Cable RST prime	4X	1	1	1	1	1	1	1				
6KAF6H8570	\$55.00	CBL9 - Softcharge Cable RST prime	5X									1	1	1
6KAF6H8358	\$55.00	CBL12 - Door Fan Cable	41/42	1	1	1	1	1	1	1				
6KAF6H8544	\$110.00	CBL13 - SCR Cable	41	1	1	1								
6KAF6H8357	\$110.00	CBL13 - SCR Cable	42				1	1	1	1				
6KAF6H8575	\$205.00	CBL13 - SCR Cable	5X								1	1	1	1
6KAF6H8356	\$45.00	CBL14 - DC to Power PCA Cable	4X	1	1	1	1	1	1	1				
6KAF6H8576	\$50.00	CBL14 - DC to Power PCA Cable	5X								1	1	1	1
6KAF6H8363	\$30.00	CBL16 - Gate Driver Cable, 16pin	41	1	1	1								
6KAF6H8350	\$41.00	CBL16 - Gate Driver Cable, 16pin	42				1	1	1	1				
6KAF6H8581	\$45.00	CBL16 - Gate Driver Cable, 16pin	5X								1	1	1	1
6KAF6H8364	\$60.00	CBL17, 18, 19 IGBT Gate Cable	41	3	3	3								
6KAF6H8351	\$95.00	CBL17, 18, 19 - IGBT Gate Cable	42				3	3	3	3				
6KAF6H8582	\$40.00	CBL17, 18, 19 - IGBT Gate Cable	51								3	3	3	3
6KAF6H8352	\$65.00	CBL20 - IGBT Temperature Cable	-	1	1	1	1	1	1	1	1	1	1	1
6KAF6H8365	\$40.00	CBL21 - Brake IGBT Cable	41	1	1	1								
6KAF6H8368	\$65.00	CBL21 - Brake IGBT Cable	42				1	1	1	1				
6KAF6H8583	\$85.00	CBL21 - Brake IGBT Cable	5X								1	1	1	1
6KAF6H8366	\$320.00	CBL22 - Brake Power Plus Cable	41	1	1	1								
6KAF6H8369	\$595.00	CBL22 - Brake Power Plus Cable	42				1	1	1	1				
6KAF6H8367	\$320.00	CBL23 - Brake Power Minus Cable	41	1	1	1								
6KAF6H8370	\$550.00	CBL23 - Brake Power Minus Cable	42				1	1	1	1				
6KAF6H8543	\$55.00	CBL24 - Softcharge RST Cable	41	1	1	1								
6KAF6H8353	\$75.00	CBL24 - Softcharge RST Cable	42				1	1	1	1				
6KAF6H8584	\$45.00	CBL24 - Softcharge RST Cable	5X								1	1	1	1
6KAF6H8355	\$45.00	CBL25 - Softcharge to DC Bus Cable	4X	1	1	1	1	1	1	1				
6KAF6H8585	\$40.00	CBL25 - Softcharge to DC Bus Cable	5X								1	1	1	1
6KAF6H8613	\$65.00	CBL26 - Fuse Fan Cable	5X								1	1	1	1

Terminals, Labels, Insulators

6KAF6H8374	\$215.00	TB1 - Bus Bars, Terminals Line/Load	4X	3	3	3								
6KAF6H8375	\$260.00	TB1 - Bus Bars, Terminals Line/Load	4X				3	3	3	3				
6KAF6H8587	\$690.00	TB1 - Bus Bars, Terminal Block	5X								3	3	3	3
6KAF6H8374	\$215.00	TB2 - Bus Bars, Terminals Line/Load	4X	3	3	3								
6KAF6H8375	\$255.00	TB2 - Bus Bars, Terminals Line/Load	4X				3	3	3	3				
6KAF6H8587	\$690.00	TB2 - Bus Bars, Terminal Block	5X								3	3	3	3
6KAF6H8395	\$260.00	TB3 - Bus Bars, Terminal, Load Share & Brake	4X	2	2	2	2	2	2	2				
6KAF6H8399	\$410.00	TB3 - Bus Bars, Terminal, Load Share, Left	4X								1	1	1	1
6KAF6H8404	\$415.00	TB3 - Bus Bars, Terminal, Load Share, Right	4X								1	1	1	1
6KAF6H8395	\$260.00	TB4 - Bus Bars, Terminal, Load Share & Brake	4X	2	2	2								



Drives

AF-650GP™ General Purpose Drive Replacement Parts

Section 15

IP 00 - 690 Vac, 3-Phase, 50/60Hz Input (continued)
 IP 21/54 - 690 Vac, 3-Phase, 50/60Hz Input (continued)

Product Number	List Price GO-SRP	Description	Unit Size	Drive Hp and Quantity Per Drive											
				125	150	200	250	300	350	450	500	550	600	650	
Terminals, Labels, Insulators (continued)															
6KAF6H8399	\$410.00	TB4 - Bus Bars Terminal Load Share Left	4X				1	1	1	1					
6KAF6H8404	\$415.00	TB4 - Bus Bars Terminal Load Share Right	4X				1	1	1	1					
6KAF6H8587	\$690.00	TB4 - Bus Bars Terminal Block	5X												
6KAF6H8371	\$135.00	TB1 - Terminal Insulator Line/Load	4X	1	1	1	1	1	1	1		2	2	2	2
6KAF6H8588	\$155.00	TB1 - Insulator Terminal Block	5X									3	3	3	3
6KAF6H8371	\$135.00	TB2 - Terminal Insulator Line/Load	4X	1	1	1	1	1	1	1					
6KAF6H8588	\$155.00	TB2 - Insulator Terminal Block	5X									3	3	3	3
6KAF6H8372	\$80.00	TB3 - Terminal Insulator Brake & Load Share	4X	1	1	1	1	1	1	1	1	1	1	1	1
6KAF6H8372	\$80.00	TB4 - Terminal Insulator Brake & Load Share	4X	1	1	1	1	1	1	1	1				
6KAF6H8588	\$155.00	TB4 - Insulator Terminal Block	5X									2	2	2	2
6KAF6H8373	\$515.00	Terminal Block Label Set	4X	1	1	1	1	1	1	1	1				
6KAF6H8589	\$1460.00	Terminal Block Label Set	5X									1	1	1	1
6KAF6H8545	\$60.00	Insulator Mylar for IGBT Bus	41	1	1	1									
6KAF6H8421	\$65.00	Insulator Mylar for IGBT Bus	42												
6KAF6H8590	\$150.00	Insulator for IGBT Chassis	5X				1	1	1	1					
6KAF6H8547	\$30.00	Insulator for IGBT Snubber Capacitor Support	-	1	1	1	2	2	2	2		1	1	1	1
6KAF6H8546	\$160.00	Line Fuse Insulator	-				1	1	1	1					
6KAF6H8410	\$285.00	Bus Bar Stand Off, PKG10	-	12	12	12	17	17	17	17		11	11	11	11
6KAF6H8610	\$230.00	IGBT Output Standoff, PKG9	5X									9	9	9	9
Bus Bars															
6KAF6H8380	\$145.00	Bus Bars, SCR, R S T	4X	3	3	3									
6KAF6H8548	\$95.00	Bracket, SCR Bus Bars Support	4X	1	1	1									
6KAF6H8394	\$210.00	Bus Bars, SCR Input	4X				3								
6KAF6H8387	\$180.00	Bus Bars, SCR Plus, 1	4X					3	3	3					
6KAF6H8700	\$1615.00	Bus Bars, SCR/DI Input	5X									3	3	3	3
6KAF6H8379	\$620.00	Bus Bars Assy, SCR	4X	1	1	1									
6KAF6H8381	\$150.00	Bus Bars, SCR Minus	4X	2	2	2									
6KAF6H8393	\$325.00	Bus Bars, SCR DC	-				2								
6KAF6H8385	\$290.00	Bus Bars, SCR Minus, 1	4X					2	2	2					
6KAF6H8386	\$380.00	Bus Bars, SCR Minus, 2	4X					1	1	1	1				
6KAF6H8388	\$380.00	Bus Bars, SCR Plus, 2	4X					1	1	1	1				
6KAF6H8701	\$1780.00	Bus Bars, SCR/DI Output	5X												
6KAF6H8597	\$2500.00	Bus Bars, DC Bus Plus, Before DC Reactor	5X									2	2	2	2
6KAF6H8598	\$2500.00	Bus Bars, DC Bus Minus Before DC Reactor	5X									1	1	1	1
6KAF6H8549	\$150.00	Bus Bars, DC Link Plus	4X	1	1	1						1	1	1	1
6KAF6H8391	\$190.00	Bus Bars, DC Link Plus	4X	1	1	1									
6KAF6H8382	\$265.00	Bus Bars, DC Link Minus	4X												
6KAF6H8599	\$715.00	Bus Bars, DC Bus, After DC Reactor	5X				2	2	2	2					
6KAF6H8376	\$670.00	Bus Bars Assy, IGBT	4X	1	1	1						2	2	2	2
6KAF6H8377	\$675.00	Bus Bars Assy, IGBT-Inductor	4X				1	1	1	1					
6KAF6H8378	\$690.00	Bus Bars Assy, IGBT-Capacitor	4X				1	1	1	1					
6KAF6H8600	\$3675.00	Bus Bars Assy, IGBT-Inductor	5X									1	1	1	1
6KAF6H8601	\$865.00	Bus Bars Assy, IGBT-Capacitor	5X									3	3	3	3
6KAF6H8390	\$100.00	Bus Bars, IGBT U V W	4X	3	3	3									
6KAF6H8392	\$230.00	Bus Bars, Motor, 2	4X	3	3	3									
6KAF6H8383	\$260.00	Bus Bars, Motor U W	4X				2	2	2	2					
6KAF6H8384	\$215.00	Bus Bars, Motor V	4X				1	1	1	1					
6KAF6H8389	\$220.00	Bus Bars, I-Sensor	4X				3	3	3	3					
6KAF6H8602	\$1175.00	Bus Bars, IGBT Output	5X									3	3	3	3
6KAF6H8603	\$1180.00	Bus Bars, Over Fan Box	5X									3	3	3	3
6KAF6H8604	\$530.00	Bus Bars, Current Sensor 5352	5X									3	3	3	3
6KAF6H8605	\$550.00	Bus Bars, Current Sensor 5452 5502	4X												3
6KAF6H8397	\$190.00	Bus Bars, Brake Plus	4X	1	1	1									
6KAF6H8398	\$210.00	Bus Bars, Brpke Minus	4X	1	1	1									
6KAF6H8396	\$320.00	Bus Bars, Brake	4X				1	1	1	1					
6KAF6H8606	\$8620.00	Bus Bars, Brake Assy	5X									1	1	1	1
6KAF6H8403	\$475.00	Bus Bars, Load Share Plus	4X	1	1	1									
6KAF6H8400	\$460.00	Bus Bars, Load Share Minus	4X	1	1	1									
6KAF6H8403	\$855.00	Bus Bars, Load Share Plus	4X				1	1	1	1					
6KAF6H8402	\$855.00	Bus Bars, Load Share Minus	4X				1	1	1	1					
6KAF6H8607	\$2055.00	Bus Bars, Load Share Plus	5X									1	1	1	1
6KAF6H8702	\$2520.00	Bus Bars, Load Share Minus	5X									1	1	1	1
6KAF6H8405	\$1370.00	Bus Bars, SCR Input 2	4X	3	3	3									
6KAF6H8406	\$835.00	Bus Bars, SCR, T, 1	4X				3	3	3	3					



Drives

AF-600FP™ Fan and Pump Drive

Section 15

Product Description

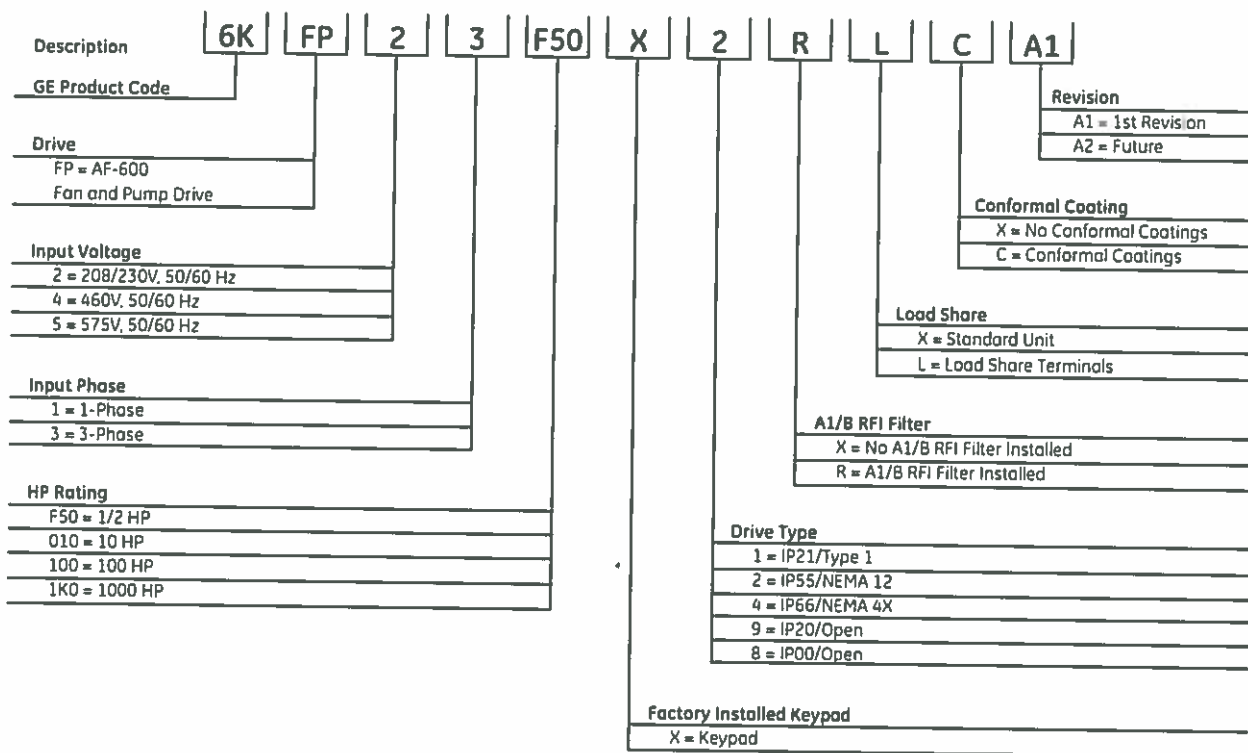
The AF-600FP™ Fan and Pump Drive is a powerful, flexible, and easy to use AC variable torque drive ideally suited for HVAC, compressor, and pump applications. The drive is available in a standard configuration that includes IP20 or IP00 Chassis, LCD Keypad Display that can be remote mounted, DC Link Reactors, built-in Modbus RTU, Metasys N2, Apogee FLN P1, and RFI Class A2 Filter. Models are available at 208/230V from 1 to 60HP, 460V from 1 to 1350HP, and 575V from 1 to 1350HP.

Standard features like motor auto tuning, four auto-tuning PID controls, energy savings mode, and energy monitoring make the AF-600FP™ ideal for all your fan, pump, compressor, and blower applications. Its Quick Menu, Application Macros, and intuitive Keypad make it a time saver for start-up and commissioning. Optional LonWorks and BACnet communications modules along with IP55/54 NEMA 12 and IP66/NEMA 4X rated units allows it to be integrated into your building automation systems and stand-alone installations. Optional I/O modules and conformal coatings allow it to be used in complex or very harsh environments if needed. The AF-600FP™ is Plenum rated for mounting inside air handling ducts.



Product Numbering System Diagram

(Product number for illustrative purposes only)



Drives AF-600FP™ Fan and Pump Drive Pricing

Section 15

230V, 1-Phase, 50/60Hz Input

HP Rating	kW Rating	Rated Output Amps	Overload Amps (110% 1 Min)	Standard Unit Includes:	Standard Unit Product No.	List Price GO-5FP	List Price Adders, GO-5FP				
							Drive Type (Digit 11)		Factory Installed Options (Digit 14) (Digit 15) (Digit 16)		
							(1) IP21 NEMA 1	(2) IP55 NEMA 12	(R) RFI filter A1/B	(Q) Future Use	(C) Conformal Coating
2	1.5	7.5	8.3	IP21/NEMA 1 ¹ RFI A2 Keypad	6KFP21002X1000A1	\$2015.00	std	\$250.00	\$150.00	N/A	\$210.00
3	2.2	10.6	11.7		6KFP21003X1000A1	\$2020.00	std	\$250.00	\$150.00	N/A	\$210.00
5	3.7	16.7	18.4		6KFP21005X1000A1	\$2290.00	std	\$275.00	\$230.00	N/A	\$210.00
7.5	5.5	24.2	26.6		6KFP21007X1000A1	\$2400.00	std	\$355.00	\$455.00	N/A	\$210.00
10	7.5	30.8	33.9		6KFP21010X1000A1	\$2665.00	std	\$555.00	\$455.00	N/A	\$210.00
20	15	59.4	65.3		6KFP21020X1000A1 ²	\$5440.00	std	\$960.00	N/A	N/A	\$210.00
30	22	88	96.8		6KFP21030X1000A1 ²	\$8270.00	std	\$1370.00	N/A	N/A	\$210.00

¹Drives are rated NEMA 1 without the need for a separate kit.

²A1/B Factory installed RFI Filters are not available and the units do not have as standard the A2 RFI Filter and furthermore do not meet EN55011 Class A2.

230V, 3-Phase, 50/60Hz Input

HP Rating	kW Rating	Rated Output Amps	Overload Amps (110% 1 Min)	Standard Unit ³ Includes:	Standard Unit Product No.	List Price GO-5FP	List Price Adders, GO-5FP					
							Drive Type (Digit 11)			Factory Installed Options (Digit 14) (Digit 15) (Digit 16)		
							(9) IP20 Chassis	(2) IP55 NEMA 12	(4) IP66 NEMA 4X	(R) RFI filter A1/B	(L) Load Share	(C) Conformal Coating
1	0.75	4.6	7.3	IP20 (9) Chassis RFI A2 Keypad	6KFP23001X9000A1	\$785.00	std	\$250.00	\$550.00	\$150.00	N/A	\$210.00
2	1.5	7.5	8.3		6KFP23002X9000A1	\$850.00	std	\$250.00	\$550.00	\$150.00	N/A	\$210.00
3	2.2	10.6	11.7		6KFP23003X9000A1	\$925.00	std	\$250.00	\$550.00	\$150.00	N/A	\$210.00
5	3.7	16.7	18.4		6KFP23005X9000A1	\$1200.00	std	\$275.00	\$550.00	\$230.00	N/A	\$210.00
7.5	5.5	24.2	26.6		6KFP23007X9000A1	\$1375.00	std	\$355.00	\$575.00	\$455.00	\$200.00*	\$210.00
10	7.5	30.8	33.9		6KFP23010X9000A1	\$1650.00	std	\$555.00	\$920.00	\$455.00	\$234.00*	\$210.00
15	11	46.2	50.8		6KFP23015X9000A1	\$2005.00	std	\$555.00	\$920.00	\$455.00	\$245.00*	\$210.00
20	15	59.4	65.3		6KFP23020X9000A1	\$2405.00	std	\$960.00	\$1600.00	\$690.00	\$290.00	\$210.00
25	18.5	74.8	82.3		6KFP23025X9000A1	\$2975.00	std	\$960.00	\$1950.00	\$690.00	\$350.00	\$210.00
30	22	88	96.8		6KFP23030X9000A1	\$3700.00	std	\$1370.00	\$2390.00	\$1115.00	\$365.00	\$210.00
40	30	115	127		6KFP23040X9000A1	\$5275.00	std	\$1370.00	\$2870.00	\$1115.00	\$430.00	\$210.00
50	37	143	157		6KFP23050X9000A1	\$6295.00	std	\$1825.00	\$3270.00	\$1550.00	\$485.00	\$210.00
60	45	170	187		6KFP23060X9000A1	\$7425.00	std	\$1825.00	\$3750.00	\$1550.00	\$560.00	\$210.00

³IP21/NEMA 1 Kits are available as Field Installed Options for all 230V drives from 1 HP to 60 HP. See Page 15-43.

*Only for IP55/NEMA 12 and IP66/NEMA 4X

460V, 1-Phase, 50/60Hz Input

HP Rating	kW Rating	Rated Output Amps	Overload Amps (150% 1 Min)	Standard Unit Includes:	Standard Unit Product No.	List Price GO-5FP	List Price Adders, GO-5FP				
							Drive Type (Digit 11)		Factory Installed Options (Digit 14) (Digit 15) (Digit 16)		
							(1) IP21 NEMA 1	(2) IP55 NEMA 12	(R) RFI filter A1/B	(Q) Future Use	(C) Conformal Coating
10	7.5	14.5	21.8	IP21/NEMA 1 ¹ RFI A2 Keypad	6KFP41010X1000A1	\$2885.00	std	\$275.00	\$275.00	N/A	\$210.00
15	11	21	31.5		6KFP41015X1000A1 ²	\$4040.00	std	\$555.00	N/A	N/A	\$210.00
25	18.5	34	51.0		6KFP41025X1000A1 ²	\$6975.00	std	\$555.00	N/A	N/A	\$210.00
50	37	65	97.5		6KFP41050X1000A1 ²	\$10255.00	std	\$960.00	N/A	N/A	\$210.00

¹Drives are rated NEMA 1 without the need for a separate kit.

²A1/B Factory installed RFI Filters are not available and the units do not have as standard the A2 RFI Filter and furthermore do not meet EN55011 Class A2

460V, 3-Phase, 50/60Hz Input

HP Rating	kW Rating	Rated Output Amps	Overload Amps (110% 1 Min)	Standard Unit ⁴ Includes:	Standard Unit Product No. ⁶	List Price GO-5FP	List Price Adders, GO-5FP					
							Drive Type (Digit 11)			Factory Installed Options (Digit 14) (Digit 15) (Digit 16)		
							(9) IP20 Chassis	(2) IP55 NEMA 12	(4) IP66 NEMA 4X	(R) RFI filter A1/B	(L) Load Share	(C) Conformal Coating
1	0.75	2.4	2.6	IP20 (9) Chassis RFI A2 Keypad	6KFP43001X9000A1	\$920.00	std	\$250.00	\$550.00	\$150.00	N/A	\$210.00
2	1.5	4.1	4.5		6KFP43002X9000A1	\$980.00	std	\$250.00	\$550.00	\$150.00	N/A	\$210.00
3	2.2	5.6	6.2		6KFP43003X9000A1	\$1120.00	std	\$250.00	\$550.00	\$150.00	N/A	\$210.00
5	4	10	11		6KFP43005X9000A1	\$1260.00	std	\$275.00	\$550.00	\$275.00	N/A	\$210.00
7.5	5.5	13	14.3		6KFP43007X9000A1	\$1410.00	std	\$275.00	\$550.00	\$275.00	N/A	\$210.00
10	7.5	16	17.6		6KFP43010X9000A1	\$1720.00	std	\$275.00	\$575.00	\$275.00	N/A	\$210.00
15	11	24	26.4		6KFP43015X9000A1	\$2030.00	std	\$555.00	\$575.00	\$455.00	\$200.00*	\$210.00
20	15	32	35.2		6KFP43020X9000A1	\$2656.00	std	\$555.00	\$920.00	\$455.00	\$234.00*	\$210.00
25	18.5	37.5	41.3		6KFP43025X9000A1	\$3370.00	std	\$555.00	\$920.00	\$455.00	\$245.00*	\$210.00
30	22	44	48.4		6KFP43030X9000A1	\$3840.00	std	\$960.00	\$1600.00	\$690.00	\$290.00	\$210.00
40	30	61	67.1		6KFP43040X9000A1	\$4855.00	std	\$960.00	\$1600.00	\$690.00	\$310.00	\$210.00
50	37	73	80.3		6KFP43050X9000A1	\$5490.00	std	\$960.00	\$1600.00	\$690.00	\$350.00	\$210.00
60	45	90	99		6KFP43060X9000A1	\$6500.00	std	\$1370.00	\$1950.00	\$1115.00	\$365.00	\$210.00
75	55	106	116.6		6KFP43075X9000A1	\$8150.00	std	\$1370.00	\$1950.00	\$1115.00	\$430.00	\$210.00
100	75	147	161.7		6KFP43100X9000A1	\$10350.00	std	\$1825.00	\$3270.00	\$1550.00	\$485.00	\$210.00
125	90	177	194.7		6KFP43125X9000A1	\$12390.00	std	\$1825.00	\$3750.00	\$1550.00	\$560.00	\$210.00

⁴IP21/NEMA 1 Kits are available as Field Installed Options for all 460V drives from 1 HP to 125 HP. See Page 15-43.

*Only for IP55/NEMA 12 and IP66/NEMA 4X



Drives AF-600FP™ Fan and Pump Drive Pricing

Section 15

460V, 3-Phase, 50/60Hz Input

HP Rating	kW Rating	Rated Output Amps	Overload Amps (110% 1 Min)	Standard Unit Includes:	Standard Unit Product No.	List Price GO-SFP	List Price Adders, GO-SFP					
							Drive Type (Digit 11)			Factory Installed Options (Digit 14) (Digit 15) (Digit 16)		
							(8) IP00 Chassis	(1) IP21 NEMA 1	(2) IP54 NEMA 12	(R) RFI filter A1/B	(L) Load Share	(C) Conformal Coating
150	110	190	209	IP00 (8) Chassis RFI A2 Keypad	6KFP43150XBXXCA1	\$14200.00	std	\$1035.00	\$3370.00	\$2120.00	\$625.00	\$705.00
200	132	240	264		6KFP43200XBXXCA1	\$17110.00	std	\$1035.00	\$3370.00	\$2565.00	\$755.00	\$705.00
250	160	302	332		6KFP43250XBXXCA1	\$20315.00	std	\$1140.00	\$3700.00	\$3140.00	\$920.00	\$705.00
300	200	361	397		6KFP43300XBXXCA1	\$22500.00	std	\$1140.00	\$3700.00	\$3750.00	\$1100.00	\$705.00
350	250	443	487		6KFP43350XBXXCA1	\$25900.00	std	\$1140.00	\$3700.00	\$4475.00	\$1315.00	\$705.00
450	315	540	594	IP00 (8) Chassis RFI A2 Keypad Conformal Coated	6KFP43450XBXXCA1	\$32500.00	std	\$3065.00	\$6075.00	\$5420.00	\$1585.00	std
500	355	590	649		6KFP43500XBXXCA1	\$42550.00	std	\$3065.00	\$6075.00	\$6390.00	\$1770.00	std
550	400	678	746		6KFP43550XBXXCA1	\$54000.00	std	\$3065.00	\$6075.00	\$7350.00	\$2110.00	std
600	450	730	803		6KFP43600XBXXCA1	\$61150.00	std	\$3065.00	\$6075.00	\$8325.00	\$2510.00	std
650	500	780	858		6KFP43650X1XXCA1	\$69000.00	N/A	std	\$11170.00	\$11855.00	N/A	std
750	560	890	979	IP21/NEMA 1 (1) RFI A2 Keypad Conformal Coated	6KFP43750X1XXCA1	\$82000.00	N/A	std	\$11170.00	\$13085.00	N/A	std
900	630	1050	1155		6KFP43900X1XXCA1	\$93000.00	N/A	std	\$11170.00	\$14890.00	N/A	std
1000	710	1160	1276		6KFP431K0X1XXCA1	\$109000.00	N/A	std	\$11170.00	\$17295.00	N/A	std
1200	800	1380	1518		6KFP431K2X1XXCA1	\$125000.00	N/A	std	\$11170.00	\$19735.00	N/A	std
1350	1000	1530	1683		6KFP431K3X1XXCA1	\$145800.00	N/A	std	\$11170.00	\$22930.00	N/A	std

575V, 3-Phase, 50/60Hz Input

HP Rating	kW Rating	Rated Output Amps	Overload Amps (110% 1 Min)	Standard Unit Includes:	Standard Unit Product No.	List Price GO-SFP	List Price Adders, GO-SFP					
							Drive Type (Digit 11)			Factory Installed Options (Digit 14) (Digit 15) (Digit 16)		
							(9) IP20 Chassis	(2) IP55 NEMA 12	(4) IP66 NEMA 4X	(R) RFI filter A1/B	(L) Load Share	(C) Conformal Coating
1	0.75	1.8	1.98	IP20 (9) Chassis Keypad	6KFP53001X9XXCA1	\$1050.00	std	\$250.00	\$550.00	N/A	N/A	\$210.00
2	1.5	2.7	2.97		6KFP53002X9XXCA1	\$1120.00	std	\$250.00	\$550.00	N/A	N/A	\$210.00
3	2.2	3.9	4.29		6KFP53003X9XXCA1	\$1275.00	std	\$250.00	\$550.00	N/A	N/A	\$210.00
5	4	6.1	6.71		6KFP53005X9XXCA1	\$1440.00	std	\$250.00	\$550.00	N/A	N/A	\$210.00
7.5	5.5	9	9.9		6KFP53007X9XXCA1	\$1610.00	std	\$275.00	\$550.00	N/A	N/A	\$210.00
10	7.5	11	12.1		6KFP53010X9XXCA1	\$1965.00	std	\$275.00	\$550.00	N/A	N/A	\$210.00
15	11	18	19.8		6KFP53015X9XXCA1	\$2320.00	std	\$555.00	\$845.00	N/A	\$200.00	\$210.00
20	15	22	24.2		6KFP53020X9XXCA1	\$3030.00	std	\$555.00	\$920.00	N/A	\$234.00	\$210.00
25	18.5	27	29.7		6KFP53025X9XXCA1	\$3845.00	std	\$555.00	\$920.00	N/A	\$245.00	\$210.00
30	22	34	37.4		6KFP53030X9XXCA1	\$4380.00	std	\$960.00	\$1600.00	N/A	\$290.00	\$210.00
40	30	41	45.1		6KFP53040X9XXCA1	\$5535.00	std	\$960.00	\$1600.00	N/A	\$310.00	\$210.00
50	37	52	57.2		6KFP53050X9XXCA1	\$6260.00	std	\$960.00	\$1600.00	N/A	\$350.00	\$210.00
60	45	62	68.2		6KFP53060X9XXCA1	\$7410.00	std	\$1370.00	\$1950.00	N/A	\$365.00	\$210.00
75	55	83	91.3		6KFP53075X9XXCA1	\$9295.00	std	\$1370.00	\$1950.00	N/A	\$430.00	\$210.00
100	75	100	110		6KFP53100X9XXCA1	\$11800.00	std	\$1825.00	\$3270.00	N/A	\$485.00	\$210.00
125	90	131	144.1		6KFP53125X9XXCA1	\$14125.00	std	\$1825.00	\$3790.00	N/A	\$560.00	\$210.00

¹IP21/NEMA 1 Kits are available as Field Installed Options for all 575V drives from 1 HP to 125 HP. See Page 15-43.

575V, 3-Phase, 50/60Hz Input

HP Rating	kW Rating	Rated Output Amps	Overload Amps (110% 1 Min)	Standard Unit Includes:	Standard Unit Product No.	List Price GO-SFP	List Price Adders, GO-SFP					
							Drive Type (Digit 11)			Factory Installed Options (Digit 12) (Digit 13) (Digit 14)		
							(8) IP00 Chassis	(1) IP21 NEMA 1	(2) IP54 NEMA 12	(R) RFI filter A1/B	(D) Future Use	(C) Conformal Coating
150	110	155	170.5	IP00 (8) Chassis RFI A2 Keypad Conformal Coated	6KFP53150XBXXCA1	\$17100.00	std	\$1190.00	\$3990.00	N/A	N/A	std
200	132	192	211.2		6KFP53200XBXXCA1	\$21150.00	std	\$1190.00	\$3990.00	N/A	N/A	std
250	160	242	266.2		6KFP53250XBXXCA1	\$24850.00	std	\$1190.00	\$3990.00	N/A	N/A	std
300	200	290	319		6KFP53300XBXXCA1	\$28495.00	std	\$1190.00	\$3990.00	N/A	N/A	std
350	250	344	378.4		6KFP53350XBXXCA1	\$30860.00	std	\$3525.00	\$6990.00	N/A	N/A	std
400	315	400	440		6KFP53400XBXXCA1	\$41880.00	std	\$3525.00	\$6990.00	N/A	N/A	std
450	355	450	495		6KFP53450XBXXCA1	\$51060.00	std	\$3525.00	\$6990.00	N/A	N/A	std
500	400	500	550		6KFP53500XBXXCA1	\$65180.00	std	\$7500.00	\$11170.00	N/A	N/A	std
600	450	570	627		6KFP53600XBXXCA1	\$83000.00	std	\$7500.00	\$11170.00	N/A	N/A	std
650	500	630	693		6KFP53650XBXXCA1	\$95150.00	std	\$7500.00	\$11170.00	N/A	N/A	std
750	560	730	803	IP21/NEMA 1 (1) RFI A2 Keypad Conformal Coated	6KFP53750XBXXCA1	\$120550.00	N/A	std	\$11170.00	N/A	N/A	std
950	710	850	935		6KFP53950X1XXCA1	\$137550.00	N/A	std	\$11170.00	N/A	N/A	std
1050	800	945	1039.5		6KFP531K0X1XXCA1	\$159900.00	N/A	std	\$11170.00	N/A	N/A	std
1150	900	1060	1166		6KFP531K1X1XXCA1	\$181050.00	N/A	std	\$11170.00	N/A	N/A	std
1350	1000	1260	1386		6KFP531K3X1XXCA1	\$200100.00	N/A	std	\$11170.00	N/A	N/A	std



Drives

AF-600FP™ Fan and Pump Drive

Field Installed IP21/NEMA 1 Add-On Option Kits

Section 15

IP21/NEMA 1 Add-On Option Kits

Voltage	HP Rating	kW Rating	IP21/NEMA 1 Kit Product No.	List Price GO-5AC	Fits AF-600FP™ IP20 Drive Product No.
230	1	1.1	NEMA1ACA2	\$110.00	6KFP23001X9000A1
	2	1.5	NEMA1ACA2	\$110.00	6KFP23002X9000A1
	3	2.2	NEMA1ACA2	\$110.00	6KFP23003X9000A1
	5	3.7	NEMA1ACA3	\$110.00	6KFP23005X9000A1
	7.5	5.5	NEMA1ACB3	\$140.00	6KFP23007X9000A1
	10	7.5	NEMA1ACB3	\$140.00	6KFP23010X9000A1
	15	11	NEMA1ACB3	\$140.00	6KFP23015X9000A1
	20	15	NEMA1ACB4	\$150.00	6KFP23020X9000A1
	25	18.5	NEMA1ACB4	\$150.00	6KFP23025X9000A1
	30	22	NEMA1ACC3	\$160.00	6KFP23030X9000A1
	40	30	NEMA1ACC3	\$160.00	6KFP23040X9000A1
	50	37	NEMA1ACC4	\$175.00	6KFP23050X9000A1
60	45	NEMA1ACCA	\$175.00	6KFP23060X9000A1	
460	1	1.1	NEMA1ACA2	\$110.00	6KFP43001X9000A1
	2	1.5	NEMA1ACA2	\$110.00	6KFP43002X9000A1
	3	2.2	NEMA1ACA2	\$110.00	6KFP43003X9000A1
	5	3.7	NEMA1ACA2	\$110.00	6KFP43005X9000A1
	7.5	5.5	NEMA1ACA3	\$115.00	6KFP43007X9000A1
	10	7.5	NEMA1ACA3	\$115.00	6KFP43010X9000A1
	15	11	NEMA1ACB3	\$140.00	6KFP43015X9000A1
	20	15	NEMA1ACB3	\$140.00	6KFP43020X9000A1
	25	18.5	NEMA1ACB3	\$140.00	6KFP43025X9000A1
	30	22	NEMA1ACB4	\$150.00	6KFP43030X9000A1
	40	30	NEMA1ACB4	\$150.00	6KFP43040X9000A1
	50	37	NEMA1ACB4	\$150.00	6KFP43050X9000A1
60	45	NEMA1ACC3	\$160.00	6KFP43060X9000A1	
75	55	NEMA1ACC3	\$160.00	6KFP43075X9000A1	
100	75	NEMA1ACC4	\$175.00	6KFP43100X9000A1	
125	90	NEMA1ACC4	\$175.00	6KFP43125X9000A1	
575	1	1.1	NEMA1ACA3	\$115.00	6KFP53001X9000A1
	2	1.5	NEMA1ACA3	\$115.00	6KFP53002X9000A1
	3	2.2	NEMA1ACA3	\$115.00	6KFP53003X9000A1
	5	3.7	NEMA1ACA3	\$115.00	6KFP53005X9000A1
	7.5	5.5	NEMA1ACA3	\$115.00	6KFP53007X9000A1
	10	7.5	NEMA1ACA3	\$115.00	6KFP53010X9000A1
	15	11	NEMA1ACB3	\$140.00	6KFP53015X9000A1
	20	15	NEMA1ACB3	\$140.00	6KFP53020X9000A1
	25	18.5	NEMA1ACB3	\$140.00	6KFP53025X9000A1
	30	22	NEMA1ACB4	\$150.00	6KFP53030X9000A1
	40	30	NEMA1ACB4	\$150.00	6KFP53040X9000A1
	50	37	NEMA1ACB4	\$150.00	6KFP53050X9000A1
60	45	NEMA1ACC3	\$160.00	6KFP53060X9000A1	
75	55	NEMA1ACC3	\$160.00	6KFP53075X9000A1	
100	75	NEMA1ACC4	\$175.00	6KFP53100X9000A1	
125	90	NEMA1ACCA	\$175.00	6KFP53125X9000A1	



Drives

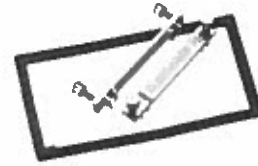
AF-600FP™ Fan and Pump Drive Options and Accessories

Section 15

Remote Mounting Kit for graphical LCD Keypad

Remote Mounting Kit for mounting graphical LCD Keypad on enclosure door. Kit includes gasket, mounting brackets, and cable. Keypad is rated IP65.

Description	Product Number	List Price GO-SAC
Remote Mounting Kit for graphical LCD Keypad	RMKYDQAC	\$95.00
Remote Mounting Kit without cable	OPCRMKNC	\$85.00



Remote Mounting Kit

Profibus DP Communications Module

Profibus DP internal drive mounted module for use on AF-650GP™ and AF-600FP™ drives. Supports Profibus DP V1 communications networks.

Description	Product Number	List Price GO-SAC
Profibus DP Communications Module	OPCPDP	\$725.00

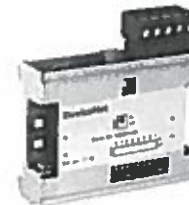


Profibus DP Communications Module

DeviceNet Communications Module

DeviceNet internal drive mounted module for use on AF-650GP™ and AF-600FP™ drives. ODVA certified device.

Description	Product Number	List Price GO-SAC
DeviceNet Communications Module	OPCDEV	\$600.00



DeviceNet Communications Module

Ethernet IP Communications Module¹

Ethernet IP internal drive mounted module for use on AF-650GP™ and AF-600FP™ drives. ODVA certified device. Features 2-Port built-in switch. Also includes webserver and email notification.

Description	Product Number	List Price GO-SAC
Ethernet/IP Communications Module	OPCEIP	\$700.00

¹Requires I/O and network slots and cannot be used with any other network or I/O modules.

Modbus TCP Communications Module

Modbus TCP internal drive mounted module for use on AF-650GP™ and AF-600FP™ drives.

Description	Product Number	List Price GO-SAC
Modbus TCP Communications Module	OPCMTCP	\$700.00

ProfiNet RT Communications Module

ProfiNet RT internal drive mounted module for use on AF-650GP™ and AF-600FP™ drives.

Description	Product Number	List Price GO-SAC
ProfiNet RT Communications Module	OPCPRT	\$700.00

LonWorks Communications Module

LonWorks internal drive mounted module for use on AF-600FP™ drives only. Supports LonWorks building automation communications networks.

Description	Product Number	List Price GO-SAC
LonWorks Communications Module	OPCLON	\$600.00

BacNet Communications Module

BacNet internal drive mounted module for use on AF-600FP™ drives only. Supports BacNet MSTP building automation communications networks.

Description	Product Number	List Price GO-SAC
BacNet Communications Module	OPCBAC	\$600.00



Drives

AF-600FP™ Fan and Pump Drive

Options and Accessories

Relay Output Module

Relay Output internal drive mounted module for use on the AF-650GP™ and AF-600FP™ drives. Module adds (3) Form C relay outputs to the drive. Relays are rated at 2A at 240V resistive load.

Description	Product Number	List Price GO-SAC
Relay Output Module	OPCRLY	\$475.00



Relay Output Module

Analog I/O Module

Analog I/O internal drive mounted module for use on the AF-600FP™ drive only. Module includes:

- 3) Analog Inputs 0-10V, 0/4-20mA
- 3) Analog Outputs 0-10V
- Battery Back-Up power for AF-600FP™'s internal Real Time Clock

Description	Product Number	List Price GO-SAC
Analog I/O Module	OPCAIO	\$500.00



Analog I/O Module

24V DC External Supply Module

24V DC External Supply internal drive mounted module for use on the AF-650GP™ and AF-600FP™ drives. This module accepts an external 24V DC supply which is used to keep the control board of the drive and other option modules powered in the event of a Line side power outage. Can be used with Communications and I/O Modules.

Description	Product Number	List Price GO-SAC
24V DC External Supply Module	OPC24VPS	\$240.00



24V DC External Supply Module

General Purpose I/O Module

General Purpose I/O internal drive mounted module for use on AF-650GP™ and AF-600FP™ drives. Module includes:

- 3) 24V Digital Inputs
- 2) PNP/NPN Digital Outputs
- 2) 0-10V Analog Inputs
- 1) 0/4-20mA Analog Output

Description	Product Number	List Price GO-SAC
General Purpose I/O Module	OPCGPIO	\$475.00



General Purpose I/O Module

Screw Terminal Accessory

Screw Terminal Accessory is available for field installation on AF-650GP™ and AF-600FP™ drives. These screw terminals can replace the cage clamp terminals which ship with each drive. This set of three terminals are for the digital inputs, analog I/O, and RS485 connection.

Description	Product Number	List Price GO-SAC
Screw Terminal Accessory	OPCTERM	\$25.00

Pedestal Kit

Pedestal Kit allows Unit Size 41 and 42 drives (NEMA 1 and 12, 150HP to 350/400HP at 460V/575V AF-600 FP and 125HP to 300/400HP at 460/690V AF-650 GP) to be floor mounted.

Description	Product Number	List Price GO-SAC
Pedestal Kit	OPCAXPED	\$875.00



Drives

AF-600FP™ Fan and Pump Drive

Options and Accessories

Section 15

USB Kit

This kit allows for the USB programming terminal to be brought out to the front cover of the drive. Works with all drive types.

Description	Product Number	List Price GO-SAC
For all drives up to Unit Size 5X	OPCUSB	\$75.00
For all Unit Size 6X drives	OPCUSB6X	\$225.00

Power Shields

These shields are used to cover the drive power terminals on NEMA 1 and NEMA 12 drive types.

Description	Product Number	List Price GO-SAC
For Unit Size 41 and 42 drives	OPCCOVER4142	\$520.00
For Unit Size 51 drives	OPCCOVER51	\$1305.00

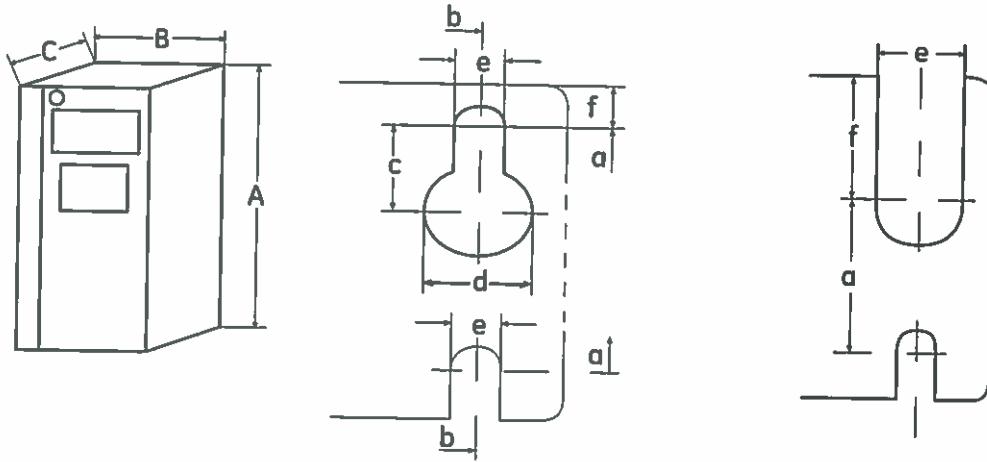


Drives

AF-600FP™ Fan and Pump Drive

Dimensional Drawings

Section 15



Mechanical Dimensions, 1X Unit Sizes

Unit Size	Dimensions	12	13	15
Drive Type		IP20 Open Chassis	IP20 Open Chassis	NEMA 12
Voltage				
240V		1 to 3HP	5HP	1 to 5HP
460V		1 to 5HP	7.5 to 10HP	1 to 10HP
575V			1 to 10HP	1 to 10HP
Height				
Height of backplate	A	10.55 in	10.55 in	16.54 in
Height with de-coupling plate	A	14.72 in	14.72 in	—
Distance between mounting holes	a	10.12 in	10.12 in	15.83 in
Width				
Width of backplate	B	3.54 in	5.12 in	9.53 in
Distance between mounting holes	b	2.76 in	4.33 in	8.46 in
Depth				
Depth without I/O and/or Network Option	C	8.07 in	8.07 in	7.68 in
Depth with I/O and/or Network Option	C	8.67 in	8.67 in	7.68 in
Screw Holes				
	c	0.315 in	0.315 in	0.325 in
	d	0.433 in	0.433 in	0.472 in
	e	0.216 in	0.216 in	0.256 in
	f	0.354 in	0.354 in	0.354 in
Weight		10.8 lbs	14.5 lbs	29.7/31.2 lbs

Mechanical Dimensions 2X Unit Sizes

Unit Size	Dimensions	21	22	23	24
Drive Type		NEMA 12	NEMA 12	IP20 Open Chassis	IP20 Open Chassis
Voltage					
240V 1-Phase		2 to 7.5HP	10HP	—	—
240V		7.5 to 15HP	20HP	7.5 to 15HP	20 to 25HP
460V 1-Phase		10HP	15HP	—	—
460V		15 to 25HP	30 to 40HP	15 to 25HP	30 to 50HP
575V		15 to 25HP	30 to 40HP	15 to 25HP	30 to 50HP
Height					
Height of backplate	A	18.9 in	25.6 in	15.7 in	20.5 in
Height with de-coupling plate	A	—	—	16.54 in	23.43 in
Distance between mounting holes	a	17.9 in	24.6 in	14.96 in	19.5 in
Width					
Width of backplate	B	9.53 in	9.53 in	6.5 in	9.06 in
Distance between mounting holes	b	8.27 in	8.27 in	5.5 in	7.87 in
Depth					
Depth without I/O and/or Network Option	C	10.24 in	10.24 in	9.81 in	9.53 in
Depth with I/O and/or Network Option	C	10.24 in	10.24 in	10.31 in	9.53 in
Screw Holes					
	c	0.472 in	0.472 in	0.315 in	—
	d	0.748 in	0.748 in	0.472 in	—
	e	0.354 in	0.354 in	0.268 in	0.335 in
	f	0.354 in	0.354 in	0.31 in	0.59 in
Weight		50.6 lbs	59.5 lbs	26.4 lbs	51.7 lbs



Drives

AF-600FP™ Fan and Pump Drive

Dimensional Drawings

Section 15

Mechanical Dimensions, 3X Unit Sizes

Unit Size	Dimensions	31	32	33	34
Drive Type		NEMA 12	NEMA 12	IP20 Open Chassis	IP20 Open Chassis
Voltage					
240V 1-Phase		20HP	30HP	---	---
240V		25 to 40HP	50 to 60HP	30 to 40HP	50 to 60HP
460V 1-Phase		25HP	50HP	---	---
460V		50 to 75HP	100 to 125HP	60 to 75HP	100 to 125HP
575V		50 to 75HP	100 to 125HP	60 to 75HP	100 to 125HP
Height					
Height of backplate	A	26.78 in	30.31 in	21.65 in	25.98 in
Height with de-coupling plate	A	---	---	24.8 in	31.5 in
Distance between mounting holes	a	25.51 in	29.1 in	20.51 in	24.84 in
Width					
Width of backplate	B	12.13 in	14.57 in	12.13 in	14.57 in
Distance between mounting holes	b	10.71 in	13.15 in	10.63 in	12.99 in
Depth					
Depth without I/O and/or Network Option	C	12.2 in	13.19 in	13.12 in	13.12 in
Depth with I/O and/or Network Option	C	12.2 in	13.19 in	13.12 in	13.12 in
Screw Holes					
	c	0.492 in	0.492 in	---	---
	d	0.748 in	0.748 in	---	---
	e	0.354 in	0.354 in	0.335 in	0.335 in
	f	0.386 in	0.386 in	0.67 in	0.67 in
Weight		99 lbs	143 lbs	77 lbs	110 lbs

Mechanical Dimensions IP20 Open Chassis Drives with Field Installed IP21/NEMA 1 Kits¹

Unit Size	12	13	23	24	33	34
Drive Type	IP20 Open Chassis with IP21/NEMA 1 Kit	IP20 Open Chassis with IP21/NEMA 1 Kit	IP20 Open Chassis with IP21/NEMA 1 Kit	IP20 Open Chassis with IP21/NEMA 1 Kit	IP20 Open Chassis with IP21/NEMA 1 Kit	IP20 Open Chassis with IP21/NEMA 1 Kit
Voltage						
240V	1 to 3HP	5HP	7.5 to 15HP	20 to 25HP	30 to 40HP	50 to 60HP
460V	1 to 5HP	7.5 to 10HP	15 to 25HP	30 to 50HP	60 to 75HP	100 to 125HP
575V		1 to 10HP	15 to 25HP	30 to 50HP	60 to 75HP	100 to 125HP
Height						
Height with Kit	14.76 in	14.76 in	18.7 in	26.4 in	29.7 in	37.4 in
Width						
Width of backplate	3.71 in	5.12 in	6.5 in	9.1 in	12.1 in	14.6 in
Distance between mounting holes	2.76 in	4.33 in	5.5 in	7.9 in	10.6 in	13.0 in
Depth						
Depth without I/O and/or Network Option	8.07 in	8.07 in	9.81 in	9.53 in	13.3 in	13.3 in
Depth with I/O and/or Network Option	8.67 in	8.67 in	10.31 in	9.53 in	13.3 in	13.3 in

¹Please consult IP21/NEMA 1 Kit Instructions for further mounting details and dimensions.

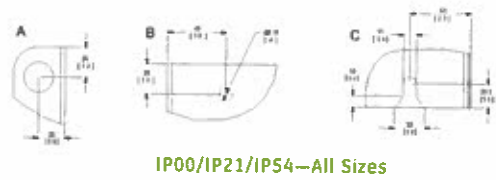
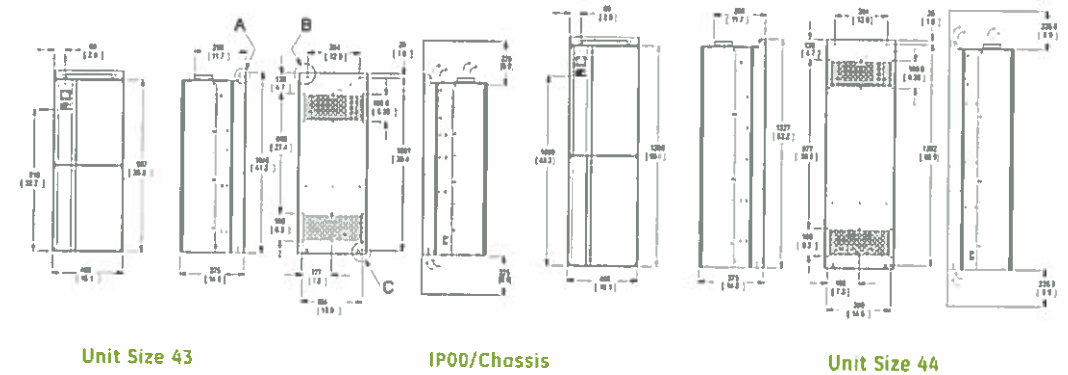
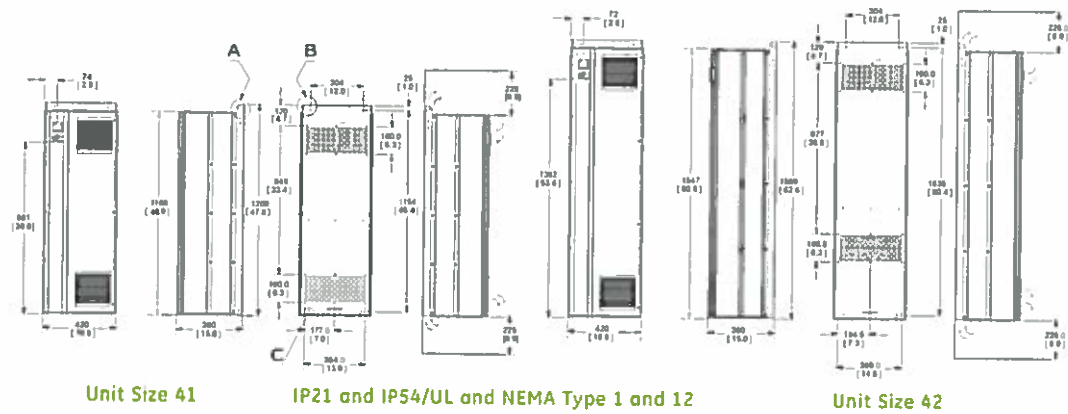
Note: Please allow 2" between drives with field installed IP21/NEMA 1 Kits. Also, please consult the relevant AF-6 Series drives Operating Instructions for recommended clearance above and below each drive rating.



Drives

AF-600FP™ Fan and Pump Drive

Dimensional Drawings



Unit Size	41	42	43	44
Drive Type	NEMA 1/NEMA 12	NEMA 1/NEMA 12	IP00 Open Chassis	IP00 Open Chassis
Voltage				
60V	150 to 200HP	250 to 350HP	150 to 200HP	250 to 350HP
575V	150 to 200HP	250 to 400HP	150 to 200HP	250 to 400HP
Shipping Dimensions				
Height	25.6 in	25.6 in	25.6 in	25.6 in
Width	68.11 in	68.11 in	48.03 in	58.66 in
Depth	22.44 in	22.44 in	22.44 in	22.44 in
Drive Dimensions				
Height	47.6 in	62.56 in	41.18 in	52.24 in
Width	16.54 in	16.54 in	16.06 in	16.06 in
Depth	14.96 in	14.96 in	14.76 in	14.76 in
Weight	228.8 lbs	332.2 lbs	200.2 lbs	303.6 lbs

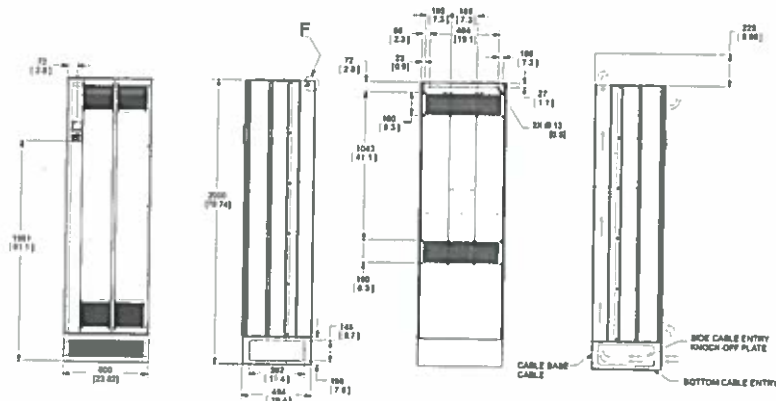


Drives

AF-600FP™ Fan and Pump Drive Dimensional Drawings

Unit Size 51 Dimensions

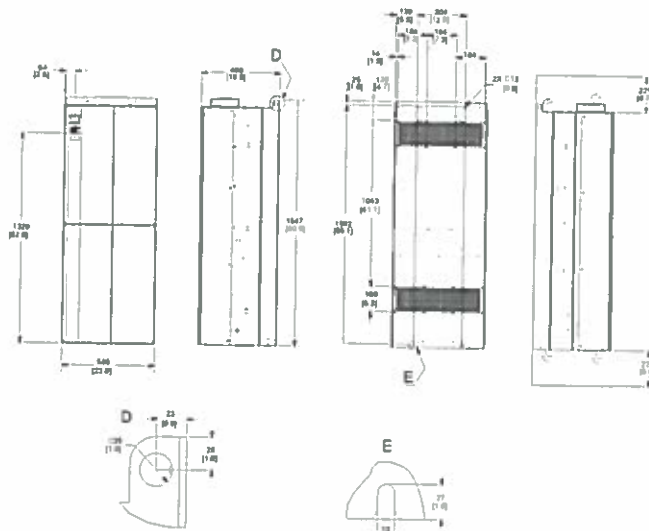
Drive Type	NEMA 1/NEMA 12
Voltage	
460V	450 to 600HP
575V	450 to 650HP
Shipping Dimensions	
Height	33.1 in
Width	86.5 in
Depth	28.9 in
Drive Dimensions	
Height	78.7 in
Width	23.6 in
Depth	19.4 in
Weight	690 lbs



Unit Size 51, IP21 and IP54/UL and NEMA Type 1 and 12

Unit Size 52 Dimensions

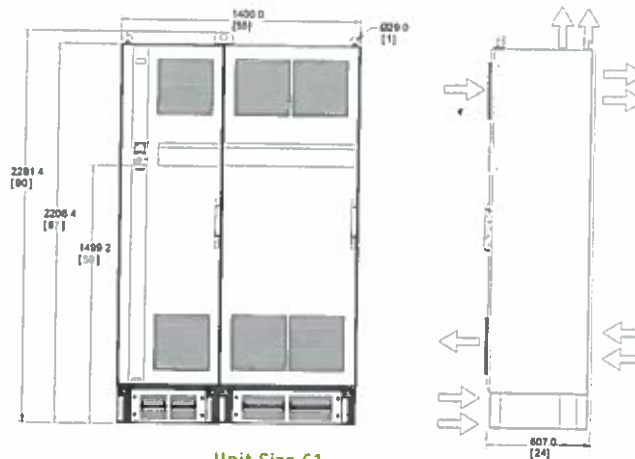
Drive Type	IP00 Open Chassis
Voltage	
460V	450 to 600HP
575V	450 to 650HP
Shipping Dimensions	
Height	32.7 in
Width	67.1 in
Depth	28.9 in
Drive Dimensions	
Height	60.9 in
Width	23.1 in
Depth	19.6 in
Weight	610 lbs



Unit Size 52, IP00/Chassis

Unit Size 61 Dimensions

Drive Type	NEMA 1/NEMA 12
Voltage	
460V	650 to 1000HP
575V	750 to 1050HP
Shipping Dimensions	
Height	91.5 in
Width	61.8 in
Depth	36.5 in
Drive Dimensions	
Height	90 in
Width	55 in
Depth	24 in
Weight	2213 lbs



Unit Size 61



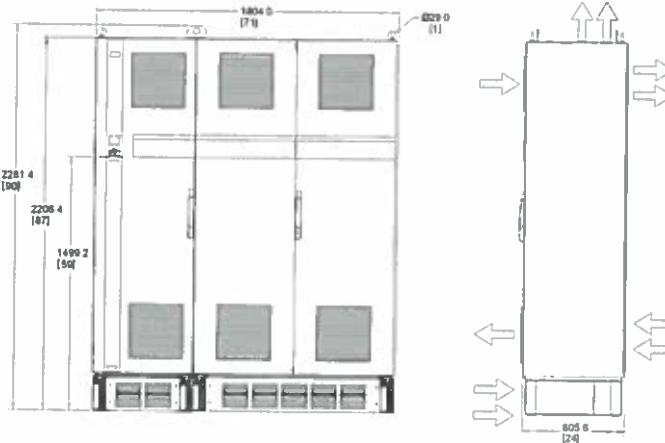
Drives

AF-600FP™ Fan and Pump Drive

Dimensional Drawings

Unit Size 62 Dimensions

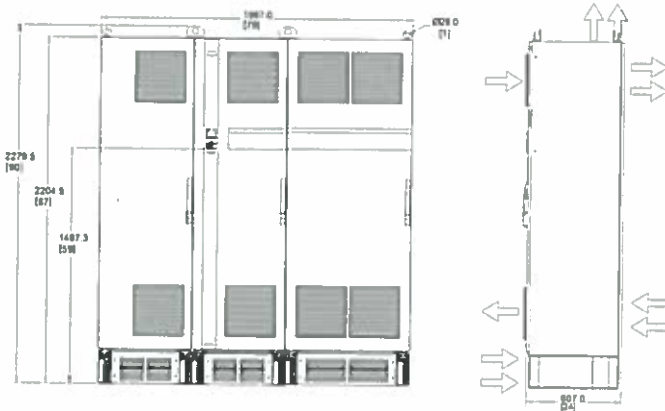
Drive Type	NEMA 1/NEMA 12
Voltage	
460V	1200 to 1350HP
575V	1150 to 1350HP
Shipping Dimensions	
Height	91.5 in
Width	77.2 in
Depth	36.5 in
Drive Dimensions	
Height	90 in
Width	71 in
Depth	24 in
Weight	2782 lbs



Unit Size 62

Unit Size 63 Dimensions

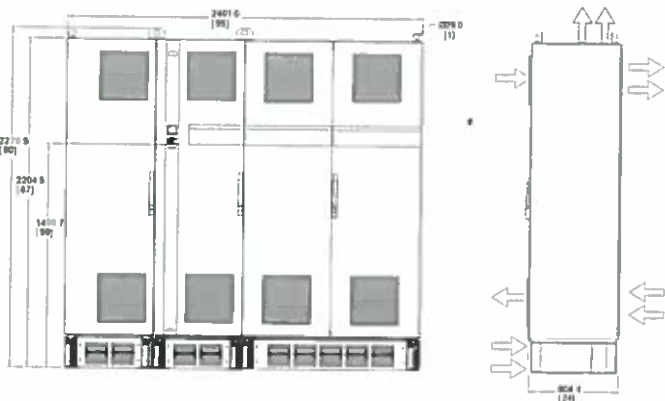
Drive Type	NEMA 1/NEMA 12
Voltage	
460V	650 to 1000HP
575V	750 to 1050HP
Shipping Dimensions	
Height	91.5 in
Width	85 in
Depth	36.5 in
Drive Dimensions	
Height	90 in
Width	79 in
Depth	24 in
Weight	2864 lbs



Unit Size 63

Unit Size 64 Dimensions

Drive Type	NEMA 1/NEMA 12
Voltage	
460V	1200 to 1350HP
575V	1150 to 1350HP
Shipping Dimensions	
Height	91.5 in
Width	100.1 in
Depth	36.5 in
Drive Dimensions	
Height	90 in
Width	94.5 in
Depth	24 in
Weight	3397 lbs



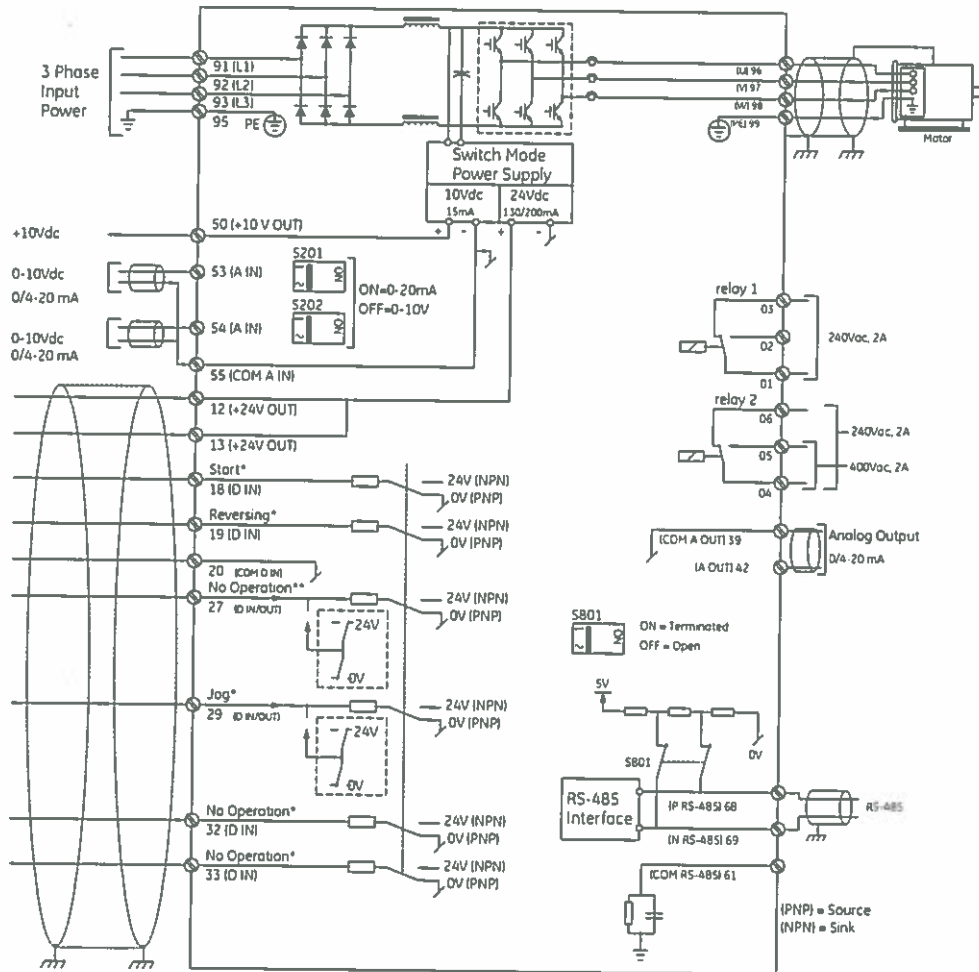
Unit Size 64



Drives

AF-600FP™ Fan and Pump Drive

Basic Wiring Diagrams



* Indicates default setting; see Parameter Group E-## to re-program.

** Indicates default setting for version 1.10 drives or higher. Prior versions are set to Coast Inverse, indicating that terminal #27 must be Logic "High" to enable the drive to run. See Parameter E-03 Terminal 27 Digital Input to re-program.



Drives

AF-600FP™ Fan and Pump Drive

Efficiency, Watt Loss, Unit Size, Dimensions and Weights

230 Vac, 1-Phase, 50/60Hz

HP Rating	Output Current	Efficiency			Watt Loss (W)	GE Unit Size	Drive Type	Height (in)	Width (in)	Depth (in)	Weight (lbs)
		at 5 kHz (%)	at 4 kHz (%)	at 3 kHz (%)							
2	7.5	98			30	21	IP21/NEMA 1	18.9	9.53	10.24	50.6
3	10.6	98			44	21	IP21/NEMA 1	18.9	9.53	10.24	50.6
5	16.7	98			60	21	IP21/NEMA 1	18.9	9.53	10.24	50.6
7.5	24.2		98		80	21	IP21/NEMA 1	18.9	9.53	10.24	50.6
10	30.8		98		100	22	IP21/NEMA 1	25.6	9.53	10.24	59.5
20	59.4		98		150	31	IP21/NEMA 1	26.78	12.13	12.2	99
30	88			98	200	32	IP21/NEMA 1	30.31	14.57	13.19	143

230 Vac

HP Rating	Output Current	Efficiency			Watt Loss (W)	GE Unit Size	Drive Type	Height (in)	Width (in)	Depth (in)	Weight (lbs)
		at 5 kHz (%)	at 4 kHz (%)	at 3 kHz (%)							
1	6.6	96			63	12	IP20 Chassis	14.7	3.5	8.7	10.8
2	7.5	96			82	12	IP20 Chassis	14.7	3.5	8.7	10.8
3	10.6	96			116	12	IP20 Chassis	14.7	3.5	8.7	10.8
5	16.7	96			185	13	IP20 Chassis	14.7	5.1	8.7	14.55
7.5	24.2		96		269	23	IP20 Chassis	15.71	6.5	9.13	26.5
10	30.8		96		310	23	IP20 Chassis	15.71	6.5	9.13	26.5
15	46.2		96		447	23	IP20 Chassis	15.71	6.5	9.13	26.5
20	59.4		96		602	24	IP20 Chassis	20.47	9.06	9.41	51.8
25	74.8		96		737	24	IP20 Chassis	20.47	9.06	9.41	51.8
30	88			97	845	33	IP20 Chassis	24.8	12.13	13.15	77.2
40	115			97	1140	33	IP20 Chassis	24.8	12.13	13.15	77.2
50	143			97	1353	34	IP20 Chassis	31.5	14.57	13.15	110.2
60	170			97	1636	34	IP20 Chassis	31.5	14.57	13.15	110.2

460 Vac, 1-Phase, 50/60Hz

HP Rating	Output Current	Efficiency			Watt Loss (W)	GE Unit Size	Drive Type	Height (in)	Width (in)	Depth (in)	Weight (lbs)
		at 5 kHz (%)	at 4 kHz (%)	at 3 kHz (%)							
10	14.5	96			300	21	IP21/NEMA 1	18.9	9.53	10.24	50.6
15	21		96		440	22	IP21/NEMA 1	25.6	9.53	10.24	59.5
25	34		96		740	31	IP21/NEMA 1	26.78	12.13	12.2	99
50	65			96	1480	32	IP21/NEMA 1	30.31	14.57	13.19	143

460 Vac

HP Rating	Output Current	Efficiency				Watt Loss (W)	GE Unit Size	Drive Type	Height (in)	Width (in)	Depth (in)	Weight (lbs)
		at 5 kHz (%)	at 4 kHz (%)	at 3 kHz (%)	at 2 kHz (%)							
1	2.1	96				58	12	IP20 Chassis	14.7	3.5	8.7	10.8
2	3.4	97				62	12	IP20 Chassis	14.7	3.5	8.7	10.8
3	4.8	97				88	12	IP20 Chassis	14.7	3.5	8.7	10.8
5	8.2	97				124	12	IP20 Chassis	14.7	3.5	8.7	10.8
7.5	11	97				187	13	IP20 Chassis	14.7	5.1	8.7	14.55
10	14.5	97				255	13	IP20 Chassis	14.7	5.1	8.7	14.55
15	21		98			278	23	IP20 Chassis	15.71	6.5	9.13	26.5
20	27		98			392	23	IP20 Chassis	15.71	6.5	9.13	26.5
25	34		98			465	23	IP20 Chassis	15.71	6.5	9.13	26.5
30	40		98			525	24	IP20 Chassis	20.47	9.06	9.41	51.8
40	52		98			698	24	IP20 Chassis	20.47	9.06	9.41	51.8
50	65		98			739	24	IP20 Chassis	20.47	9.06	9.41	51.8
60	80			98		843	33	IP20 Chassis	24.8	12.13	13.15	77.2
75	105			98		1083	33	IP20 Chassis	24.8	12.13	13.15	77.2
100	130			98		1384	34	IP20 Chassis	31.5	14.57	13.15	110.2
125	160			99		1474	34	IP20 Chassis	31.5	14.57	13.15	110.2
150	190			98		3234	43	IP00 Chassis	39.3	16.1	14.7	200.6
200	240			98		3782	43	IP00 Chassis	39.3	16.1	14.7	200.6
250	302			98		4213	44	IP00 Chassis	50.3	16.1	14.7	304.2
300	361			98		5119	44	IP00 Chassis	50.3	16.1	14.7	304.2
350	443			98		5893	44	IP00 Chassis	50.3	16.1	14.7	304.2
450	540				98	7630	52	IP00 Chassis	59	23	19.5	611
500	590				98	7701	52	IP00 Chassis	59	23	19.5	611
550	678				98	8879	52	IP00 Chassis	59	23	19.5	611
600	730				98	9428	52	IP00 Chassis	59	23	19.5	611
650	780				98	10647	61	IP21/NEMA 1	86.8	55.1	23.9	2214
750	890				98	12338	61	IP21/NEMA 1	86.8	55.1	23.9	2214
900	1050				98	13201	61	IP21/NEMA 1	86.8	55.1	23.9	2214
1000	1160				98	15436	61	IP21/NEMA 1	86.8	55.1	23.9	2214
1200	1380				98	18084	62	IP21/NEMA 1	86.8	71	23.9	2748
1350	1530				98	20358	62	IP21/NEMA 1	86.8	71	23.9	2748



Drives

AF-600FP™ Fan and Pump Drive Efficiency, Watt Loss, Unit Size, Dimensions and Weights

Section 15

525 - 600 Vac

HP Rating	Output Current	Efficiency				Watt Loss (W)	GE Unit Size	Drive Type	Height (in)	Width (in)	Depth (in)	Weight (lbs)
		at 5 kHz (%)	at 3 kHz (%)	at 2 kHz (%)	at 1.5 kHz (%)							
1	2.4	97				50	13	IP20 Chassis	14.7	5.1	8.7	14.55
2	2.7	97				65	13	IP20 Chassis	14.7	5.1	8.7	14.55
3	3.9	97				92	13	IP20 Chassis	14.7	5.1	8.7	14.55
5	6.1	97				145	13	IP20 Chassis	14.7	5.1	8.7	14.55
7.5	9	97				195	13	IP20 Chassis	14.7	5.1	8.7	14.55
10	11	97				261	13	IP20 Chassis	14.7	5.1	8.7	14.55
15	18		98			300	23	IP20 Chassis	15.71	6.5	9.13	26.5
20	22		98			400	23	IP20 Chassis	15.71	6.5	9.13	26.5
25	27		98			475	23	IP20 Chassis	15.71	6.5	9.13	26.5
30	34		98			525	24	IP20 Chassis	20.47	9.06	9.41	51.8
40	41		98			700	24	IP20 Chassis	20.47	9.06	9.41	51.8
50	52		98			750	24	IP20 Chassis	20.47	9.06	9.41	51.8
60	62			98		850	33	IP20 Chassis	24.8	12.13	13.15	77.2
75	83			98		1100	33	IP20 Chassis	24.8	12.13	13.15	77.2
100	100			98		1400	34	IP20 Chassis	31.5	14.57	13.15	110.2
125	131			98		1500	34	IP20 Chassis	31.5	14.57	13.15	110.2
150	155			98		3114	43	IP00 Chassis	39.3	16.1	14.7	180.8
200	192			98		3612	43	IP00 Chassis	39.3	16.1	14.7	180.8
250	242			98		4293	44	IP00 Chassis	50.3	16.1	14.7	246.9
300	290			98		5156	44	IP00 Chassis	50.3	16.1	14.7	246.9
350	344			98		5821	44	IP00 Chassis	50.3	16.1	14.7	246.9
400	400				98	6149	44	IP00 Chassis	50.3	16.1	14.7	246.9
450	450				98	6449	52	IP00 Chassis	59	23	19.5	487.2
500	500				98	7149	52	IP00 Chassis	59	23	19.5	487.2
600	570				98	8727	52	IP00 Chassis	59	23	19.5	487.2
650	630				98	9673	52	IP00 Chassis	59	23	19.5	487.2
750	730				98	11315	61	IP21/NEMA 1	86.8	55.1	23.9	2213.4
950	850				98	12903	61	IP21/NEMA 1	86.8	55.1	23.9	2213.4
1050	945				98	14533	61	IP21/NEMA 1	86.8	55.1	23.9	2213.4
1150	1060				98	16375	62	IP21/NEMA 1	86.8	71	23.9	2746.9
1350	1260				98	19207	62	IP21/NEMA 1	86.8	71	23.9	2746.9



Drives

AF-600FP™ Fan and Pump Drive

Standard Specifications

Section 15

Environmental Conditions

Enclosures	IP20 Chassis, IP00 Chassis, IP21/NEMA 1, IP55/NEMA 12, IP54/NEMA 12
Plenum Ratings	Drives and options are UL rated for installation inside air handling ducts and plenums
Installation Location	Do not install in locations where product could be exposed to dust, corrosive gas, inflammable gas, oil mist, vapor, water drops or direct sunlight. There must be no salt in the atmosphere. Condensation must not be caused by sudden changes in temperature. For use at altitudes of 3280 ft. (1000M) or less without derating.
Storage Temperature	-25° to 65°C
Ambient Temperature	-10° to +50°C (24 hour average max of 45°C)
Ambient Humidity	5 to 95% RH (non-condensing)
Vibration	1.0g
Cooling Method	Fan Cooled all ratings. Fan Control Auto, 50% level, 75% level, 100% level adjustable.

Standard

Approvals	CE, UL, cUL, and C-Tick Suitable for use on a circuit capable of delivering not more than 100,000 rms symmetrical amperes for 208/230V and 460V.
-----------	---

Input Power Supply

Rated Input AC Voltage	200-240 Vac, 3-phase, 50-60 Hz, +/- 10% V 380-480 Vac, 3-phase, 50-60 Hz, +/- 10% V 525-600 Vac, 3-phase, 50-60 Hz, +/- 10% V
Maximum Voltage Imbalance	3% of rated supply voltage
True Power Factor	> 0.9 nominal at rated load
Displacement Power Factor	> 0.98
Switching on input power supply	Maximum twice/minute up to 10HP. Maximum once/minute above 10HP
Environment according to EN60664-1	Overvoltage category III/pollution degree 2
DC Link Reactors	Built-In DC Link Reactors on all ratings
RFI Filters	Built-In RFI Filters to reduce noise generated by the drive. Meets industrial standards.

Output

Rated Output Voltage	0-100% of supply voltage
Output Frequency	0-1000 Hz, 0-800Hz for 460V above 125HP and 525-690 V above 125HP
Switching on output	Unlimited
Accel/Decel Times	1-3600 seconds
Control Method	Sinusoidal PWM Control (V/Hz, Avd, Vector Control)

Control

Starting Torque	110% starting torque for 1 minute (variable torque)
Carrier Frequency (Motor Noise)	Selectable - 1, 1.5, 2, 2.5, 3, 3.5, 4, 5, 6, 7, 8, 10, 12, 14, 16 kHz
Torque Boost	0 - 300% setting to compensate voltage in relation to the load at low speed
Acceleration/Deceleration Time	0.01-3600 seconds (4 acceleration and deceleration times are selectable via digital inputs. Acceleration and deceleration patterns can be selected from linear or S-curve)
Data Protection	Password Protection for Quick Menu or Main Menu, 0-9999
Pattern Operation	Settings via Built-In Logic Controller Sequencer
Jump Frequency Control	4 jump (or skip) frequencies via parameter set to avoid mechanical vibration
Slip Compensation	Maintains motor at constant speed with load fluctuations
Torque Limit Control	Output torque can be controlled within a range of 0 to 110% (0.1 and steps)
8 Preset Speeds	8 programmable preset speeds selectable by 3 digital inputs
Preset Speeds	8 presets via digital inputs
Built-in Communications	Drive RS-485, Modbus RTU, Metasys N2, or Apogee FLN P1
Trim Reference Setting	Available for speed reference offset via potentiometer, voltage input, or current input
DC Injection Braking	Starting frequency 0.0-1000 Hz, 0-800Hz for 460V above 125HP and 525-690 V above 125HP Braking time: 0.0-60.0 seconds Braking level: 0-100% of rated current
Jogging Operation	Operation via On key or digital input (Fwd or Rev)
Auto-Restart After Power Failure	Restarts the drive without stopping after instantaneous power failure
Energy Savings	Controls output voltage to minimize motor loss during constant speed operation
Start Made Function	This functionality smoothly catches a spinning motor
Fire Override Mode	Overrides drive's protective features and keeps motor running
Pump Cascade Controller	Distributes running hours evenly over up to 4 pumps
Sleep Mode	Drive detects low or no flow conditions and adjusts output
Dry Pump Detection	Detects pump operation and can set off alarm, shuts off, or other programmed actions
Belt Monitoring	Drive can detect relationship between current and speed to recognize a broken belt
Real Time Clock	With programmable timed actions

Logic Controller (LC) Sequencer

Logic Controller Events	Upto 38 Programmable Events
Comparators	Array of 6 Comparators
Timers	Array of 8 Timers, adjustable from 0.0 to 3600 sec
Logic Rules	Array of 6 Boolean Logic Rules
Logic Controller States	Array of 20 Logic Controller Action States

Process Controller (PID)

Process PID Controller	4 Auto Tune PID Controllers Built-In
Process CL Feedback Select	Up to 2 references. Selectable - No function, Motor Feedback, Separate Encoder, Encoder Option Module, or Resolver Option Module
Process PID Control	Normal or Inverse
Process PID Anti Windup	Disabled or enabled
Process PID Start Speed	0.0-200 Hz
Process PID Proportional Gain	0.00-10.00
Process PID Integral Time	0.1 - 10000.0 ms
Process PID Differential Time	0.0 - 10 s
Process PID Differential Gain	1.0-50.00
Process PID Feed Forward Factor	0-500%
On Reference Bandwidth	0-200%



Drives

AF-600FP™ Fan and Pump Drive

Standard Specifications

Section 15

Operation

Operation Method	Keypad operation: Hand, Off, Auto Digital Input: Programmable for Start/Stop, Forward/Reverse, Jog Timer operation: Stop after predetermined time frame Communications: RS-485 Modbus RTU, Metasys N2, and Apogee FLN P1 USB Port for programming drive with optional PC Software
Frequency Reference Signal	Left or Right Arrow buttons on keypad in Manual Mode Speed Potentiometer: 0 to +10 Vdc, 10 to 0 Vdc 0-10Vdc analog input 0/4-20ma analog input
References	Up to 3 Input References can be selected from Analog Input #1 or #2, Frequency Input #1 or #2, Network, or Potentiometer
Digital Input Signal	No Operation Reset after drive trip or alarm Drive at stop with no holding current Quick Stop according to Quick Stop Decel Time 1 Stop on input going low Start Maintained Start after signal applied for Minimum of 2ms Reversing Start Reverse Enable Start Forward only Enable Start Reverse only Jog Multi-Step Frequency selection (1 to 8 Steps) Hold Drive Frequency Hold Reference Speed Up, activated by Hold Drive Frequency or Hold Reference Slow Down, activated by Hold Drive Frequency or Hold Reference Drive Parameter Setup Select 1-4 Precise Start or Stop, Activated when drive parameter precise start or stop function is selected Catch Up or Slow Down, Activated by signal to add to or subtract from input reference to control speed Pulse Input selectable from 100 - 110000Hz Accel / Decel Time select: Set Input to Accel / Decel Times 1 to 4 Digital Potentiometer Input: Increase or Decrease Mechanical Brake Feedback

Keypad

Keypad Features	LCD Display with 6 Alpha-numeric lines Multi-Language Support Hot Pluggable, Remote Mount Option, and Copy/Cat Feature, IP65 rating when remote mounted on enclosure LED's - Green - drive is on, Yellow - indicates a warning, Red - indicates an alarm, Amber - Indicates active Menus/keys and H-O-A keys
Keypad Keys	Status - shows status of drive Quick Menu - Enters Quick Start, Parameter Data Check, or Trending Modes Main Menu - Used for programming all drive parameters Alarm Log - Used to display Alarm list Back - Reverts to previous step or layer in parameter structure Cancel - Used to cancel last change or command Info - Displays information about a command, parameter, or function in any display Hand/Off/Auto - Used to control drive locally or put drive in remote mode Reset - Used to reset Warnings or Alarms
Password	2 Level Password Protection
Alternate Motor Parameters	Up to 4 Separate complete parameter set-ups are available
Graphical Trending	Trend - Speed, Power, or Frequency

RS485 Modbus RTU Serial Communications

Physical Level:	EIA/RS485
Transmission distance:	1640 ft (500m)
Node Address:	32
Transmission Speed:	2400, 4800, 9600, 19200, 38400, or 115200 (bits/s)
Transmission Mode:	Half Duplex
Transmission Protocol:	Modbus RTU
Character Code:	Binary
Character Length:	8 Bits
Error Check:	CRC

Mounting Clearance

All AF-650GP™ drives can be mounted Side-by-Side without spacing. For all drives rated 125HP or below allow 3.4 inches (100mm) free space above and below. For all drives rated 150HP and above allow 8.9 inches (225mm) free space above and below.



Drives

AF-600FP™ Fan and Pump Drive

Replacement Parts

Section 15

IP 20 - 230 Vac, 3-Phase, 50/60Hz Input
 IP 55/66 - 230 Vac, 3-Phase, 50/60Hz Input

Product Number	List Price GO-SRP	Description	Unit Size	Rating	Drive Hp and Quantity Per Drive											
					1	2	3	5	7.5	10	15	20	25	30	40	50
Main Control Card																
6KAF61151	\$950.00	Control Card	-	-	1	1	1	1	1	1	1	1	1	1	1	
Keypad																
KYPDACGP1	\$500.00	Replacement Graphical Keypad	-	-	1	1	1	1	1	1	1	1	1	1	1	
6KAF61007	\$45.00	Frame w/o option A or B	12/13/23	-	1	1	1	1	1	1	1	1	1	1	1	
6KAF61008	\$60.00	Frame w option A or B	12/13/23	-	1	1	1	1	1	1	1	1	1	1	1	
6KAF60284	\$75.00	Frame	24/33/34	-	1	1	1	1	1	1	1	1	1	1	1	
6KAF63414	\$40.00	Frame	15/21/22/31/32	-	1	1	1	1	1	1	1	1	1	1	1	
6KAF61011	\$40.00	Terminal cover w/o option A or B	12/13	-	1	1	1	1	1	1	1	1	1	1	1	
6KAF61012	\$40.00	Terminal cover w option A or B	12/13	-	1	1	1	1	1	1	1	1	1	1	1	
6KAF61411	\$65.00	Terminal cover w/o option A or B	23	-	1	1	1	1	1	1	1	1	1	1	1	
6KAF61410	\$95.00	Terminal cover w option A or B	23	-	1	1	1	1	1	1	1	1	1	1	1	
Power Card																
6KAF61801	\$3830.00	Power Card	21	-	1	1	1	1	1	1	1	1	1	1	1	
6KAF61802	\$3830.00	Power Card	21	-	1	1	1	1	1	1	1	1	1	1	1	
6KAF61803	\$4285.00	Power Card	21	-	1	1	1	1	1	1	1	1	1	1	1	
6KAF61805	\$4835.00	Power Card	22	-	1	1	1	1	1	1	1	1	1	1	1	
6KAF61807	\$1550.00	Power Card	31	-	1	1	1	1	1	1	1	1	1	1	1	
6KAF61808	\$1550.00	Power Card	31	-	1	1	1	1	1	1	1	1	1	1	1	
6KAF61809	\$1550.00	Power Card	31	-	1	1	1	1	1	1	1	1	1	1	1	
6KAF61810	\$1735.00	Power Card	32	-	1	1	1	1	1	1	1	1	1	1	1	
6KAF61811	\$1735.00	Power Card	32	-	1	1	1	1	1	1	1	1	1	1	1	
6KAF61901	\$3830.00	Power Card	23	-	1	1	1	1	1	1	1	1	1	1	1	
6KAF61902	\$3830.00	Power Card	23	-	1	1	1	1	1	1	1	1	1	1	1	
6KAF61903	\$4285.00	Power Card	23	-	1	1	1	1	1	1	1	1	1	1	1	
6KAF61906	\$4835.00	Power Card	24	-	1	1	1	1	1	1	1	1	1	1	1	
6KAF61907	\$5020.00	Power Card	24	-	1	1	1	1	1	1	1	1	1	1	1	
6KAF61916	\$1825.00	Power Card	33	-	1	1	1	1	1	1	1	1	1	1	1	
6KAF61917	\$1825.00	Power Card	33	-	1	1	1	1	1	1	1	1	1	1	1	
6KAF61918	\$1920.00	Power Card	34	-	1	1	1	1	1	1	1	1	1	1	1	
6KAF61919	\$1920.00	Power Card	34	-	1	1	1	1	1	1	1	1	1	1	1	
6KAF61806	\$2010.00	Switch Mode Power Supply	22	-	1	1	1	1	1	1	1	1	1	1	1	
Inverter IGBTs																
6KAF61884	\$1510.00	Dual IGBT Module	31/33	150A	3	3	3	3	3	3	3	3	3	3	3	
6KAF61885	\$1895.00	Dual IGBT Module	31/33	200A	3	3	3	3	3	3	3	3	3	3	3	
6KAF61886	\$2600.00	Dual IGBT Module	32/34	300A	3	3	3	3	3	3	3	3	3	3	3	
Brake IGBT																
6KAF61884	\$1510.00	Dual IGBT Module	31/33	150A	1	1	1	1	1	1	1	1	1	1	1	
6KAF61400	\$2105.00	Dual IGBT Module	32/34	200A	1	1	1	1	1	1	1	1	1	1	1	
6KAF61886	\$2595.00	Dual IGBT Module	32/34	300A	1	1	1	1	1	1	1	1	1	1	1	
Rectifiers																
6KAF61887	\$820.00	Thyristor Module	31/33	180A	3	3	3	3	3	3	3	3	3	3	3	
6KAF61888	\$1130.00	Thyristor Module	32/34	240A	3	3	3	3	3	3	3	3	3	3	3	
RFI Filters																
6KAF63378	\$680.00	RFI Filter (class A2)	21	-	1	1	1	1	1	1	1	1	1	1	1	
6KAF63381	\$685.00	RFI Filter (class A2)	22	-	1	1	1	1	1	1	1	1	1	1	1	
6KAF63427	\$40.00	RFI Filter (class A2)	31	-	1	1	1	1	1	1	1	1	1	1	1	
6KAF63377	\$1235.00	RFI Filter (class A1/B)	21	-	1	1	1	1	1	1	1	1	1	1	1	
6KAF63380	\$1495.00	RFI Filter (class A1/B)	22	-	1	1	1	1	1	1	1	1	1	1	1	
6KAF63425	\$4265.00	RFI Filter (class A1/B)	31	-	1	1	1	1	1	1	1	1	1	1	1	
6KAF63422	\$4750.00	RFI Filter (class A1/B)	32	-	1	1	1	1	1	1	1	1	1	1	1	
6KAF61412	\$1325.00	RFI Filter (class A1/B)	23	-	1	1	1	1	1	1	1	1	1	1	1	
6KAF61416	\$1535.00	RFI Filter (class A1/B)	24	-	1	1	1	1	1	1	1	1	1	1	1	
6KAF61419	\$2565.00	RFI Filter (class A1/B)	33	-	1	1	1	1	1	1	1	1	1	1	1	
6KAF61420	\$3185.00	RFI Filter (class A1/B)	34	-	1	1	1	1	1	1	1	1	1	1	1	
Current Transducers																
6KAF61896	\$1580.00	Current Transducer Card	31/33	-	1	1	1	1	1	1	1	1	1	1	1	
6KAF61895	\$1580.00	Current Transducer Card	32/34	-	1	1	1	1	1	1	1	1	1	1	1	
DC Link																
6KAF65160	\$910.00	DC Capacitors	31	3700uF	2	2	2	2	2	2	2	2	2	2	2	
6KAF65159	\$1050.00	DC Capacitors	31	4500uF	2	2	2	2	2	2	2	2	2	2	2	
6KAF65158	\$1275.00	DC Capacitors	31	5300uF	2	2	2	2	2	2	2	2	2	2	2	
6KAF65157	\$825.00	DC Capacitors	32	3700uF	2	2	2	2	2	2	2	2	2	2	2	
6KAF65156	\$1030.00	DC Capacitors	32	4500uF	2	2	2	2	2	2	2	2	2	2	2	
6KAF61423	\$1440.00	DC Capacitors	33/34	4500uF	2	2	2	2	2	2	2	2	2	2	2	
6KAF61060	\$1200.00	DC Link Reactors	21	780mH	1	1	1	1	1	1	1	1	1	1	1	
6KAF61062	\$1260.00	DC Link Reactors	22	490mH	1	1	1	1	1	1	1	1	1	1	1	
6KAF61063	\$1385.00	DC Link Reactors	22	410mH	1	1	1	1	1	1	1	1	1	1	1	
6KAF61035	\$2205.00	DC Link Reactors	31	300mH	1	1	1	1	1	1	1	1	1	1	1	
6KAF61036	\$2630.00	DC Link Reactors	31	260mH	1	1	1	1	1	1	1	1	1	1	1	
6KAF61037	\$2960.00	DC Link Reactors	31	200mH	1	1	1	1	1	1	1	1	1	1	1	
6KAF61038	\$3535.00	DC Link Reactors	32	170mH	1	1	1	1	1	1	1	1	1	1	1	
6KAF61039	\$4090.00	DC Link Reactors	32	100mH	1	1	1	1	1	1	1	1	1	1	1	
6KAF61950	\$1355.00	DC Link Assembly	24	-	1	1	1	1	1	1	1	1	1	1	1	
6KAF61951	\$1600.00	DC Link Assembly	24	-	1	1	1	1	1	1	1	1	1	1	1	



Drives

Section 15

AF-600FP™ Fan and Pump Drive Replacement Parts

IP 20 - 230 Vac, 3-Phase, 50/60Hz Input (continued)

IP 55/66 - 230 Vac, 3-Phase, 50/60Hz Input (continued)

Product Number	List Price GO-SRP	Description	Unit Size	Rating	Drive Hp and Quantity Per Drive											
					1	2	3	5	7.5	10	15	20	25	30	40	50
Fans																
6KAF61009	\$160.00	Fan Assembly	12	-												
6KAF61010	\$160.00	Fan Assembly	13	-	1	1	1									
6KAF61017	\$295.00	Fan Assembly	15	-	1	1	1	1								
6KAF63563	\$270.00	External Fan IP20I	23	12W					1	1	1					
6KAF63699	\$250.00	External Fan IP20I	24	12W								1				
6KAF64292	\$250.00	External Fan IP20I	33	12W									1			
6KAF64294	\$355.00	External Fan IP20I	34	18W								2	2	2		
6KAF63407	\$455.00	External Fan IP55I	21	22W										2	2	
6KAF63406	\$640.00	External Fan IP55I	22	22W					1	1	1					
6KAF63865	\$645.00	External Fan IP55I	31	26W								1	1	1		
6KAF63867	\$1235.00	External Fan IP55I	32	22W												
6KAF63440	\$100.00	Internal Fan	21/23	5 8W					1	1	1				1	1
6KAF63441	\$100.00	Internal Fan	22/24	5 8W												
6KAF63923	\$110.00	Internal Fan	31/32/33/34	5 8W								1	1			
Accessory Bags																
6KAF61022	\$275.00	Connectors Accessory Bag	12/13	-					1	1	1	1				
6KAF61023	\$240.00	Connectors Accessory Bag	15	-					1	1	1	1				
6KAF62060	\$120.00	Connectors Accessory Bag	21	-								1	1	1		
6KAF62061	\$125.00	Connectors Accessory Bag	22	-										1		
6KAF60980	\$140.00	Connectors Accessory Bag	23	-					1	1	1					
6KAF61300	\$270.00	Connectors Accessory Bag	24	-												
6KAF60046	\$200.00	Connectors Accessory Bag	31	-								1	1			
6KAF60047	\$210.00	Connectors Accessory Bag	32	-									1	1	1	
6KAF60981	\$225.00	Connectors Accessory Bag	33	-											1	1
6KAF60982	\$270.00	Connectors Accessory Bag	34	-									1	1		
6KAF60983	\$270.00	Connectors Accessory Bag	34	-											1	
6KAF60633	\$55.00	Brake and Load Sharing Connectors Bag	12/13/15	-					1	1	1	1				1

IP 20 - 460 Vac, 3-Phase, 50/60Hz Input

IP 55/66 - 460 Vac, 3-Phase, 50/60Hz Input

Product Number	List Price GO-SRP	Description	Unit Size	Rating	Drive Hp and Quantity Per Drive													
					1	2	3	5	7.5	10	15	20	25	30	40	50	60	75
Main Control Card																		
6KAF61151	\$950.00	Control Card	-	-	1	1	1	1	1	1	1	1	1	1	1	1	1	1
Keypad																		
KYPDACGP1	\$500.00	Replacement Graphical Keypad	-	-	1	1	1	1	1	1	1	1	1	1	1	1	1	1
6KAF61007	\$45.00	Frame w/o option A or B	12/13/23	-	1	1	1	1	1	1	1	1	1	1	1	1	1	1
6KAF61008	\$60.00	Frame w option A or B	12/13/23	-	1	1	1	1	1	1	1	1	1	1	1	1	1	1
6KAF60284	\$75.00	Frame	24/33/34	-											1	1	1	1
6KAF63414	\$40.00	Frame	15/21/22/31/32	-	1	1	1	1	1	1	1	1	1	1	1	1	1	1
6KAF61011	\$40.00	Terminal cover w/o option A or B	12/13	-	1	1	1	1	1	1	1	1	1	1	1	1	1	1
6KAF61012	\$40.00	Terminal cover w option A or B	12/13	-	1	1	1	1	1	1	1	1	1	1	1	1	1	1
6KAF61411	\$65.00	Terminal cover	23	-	1	1	1	1	1	1	1	1	1	1	1	1	1	1
6KAF61410	\$95.00	Terminal cover	23	-								1	1	1				
Power Card																		
6KAF61820	\$3830.00	Power Card	21	-							1							
6KAF61821	\$3830.00	Power Card	21	-								1						
6KAF61822	\$4285.00	Power Card	21	-									1					
6KAF61823	\$4380.00	Power Card	22	-										1				
6KAF61825	\$4835.00	Power Card	22	-											1			
6KAF61827	\$1550.00	Power Card	31	-												1		
6KAF61828	\$1550.00	Power Card	31	-													1	
6KAF61829	\$1550.00	Power Card	31	-														1
6KAF61830	\$1735.00	Power Card	32	-														1
6KAF61831	\$1735.00	Power Card	32	-														1
6KAF61920	\$3830.00	Power Card	23	-							1							1
6KAF61921	\$3830.00	Power Card	23	-								1						1
6KAF61922	\$4285.00	Power Card	23	-									1					1
6KAF61924	\$4380.00	Power Card	24	-										1				1
6KAF61926	\$4835.00	Power Card	24	-											1			1
6KAF61927	\$5020.00	Power Card	24	-												1		1
6KAF61936	\$1825.00	Power Card	33	-												1		1
6KAF61937	\$1825.00	Power Card	33	-													1	1
6KAF61938	\$1920.00	Power Card	34	-														1
6KAF61939	\$1920.00	Power Card	34	-														1
6KAF61824	\$2010.00	Switch Mode Power Supply	22	-														1
6KAF61826	\$2010.00	Switch Mode Power Supply	22	-														1



Drives

AF-600FP™ Fan and Pump Drive Replacement Parts

Section 15

IP 20 - 460 Vac, 3-Phase, 50/60Hz Input (continued)
 IP 55/66 - 460 Vac, 3-Phase, 50/60Hz Input (continued)

Product Number	List Price GO-SRP	Description	Unit Size	Rating	Drive Hp and Quantity Per Drive													
					1	2	3	5	7.5	10	15	20	25	30	40	50	60	75
Inverter IGBTs																		
6KAF61884	\$1510.00	Dual IGBT Module	31/33	150A											3	3		
6KAF61885	\$1895.00	Dual IGBT Module	31/33	200A													3	
6KAF61886	\$2600.00	Dual IGBT Module	32/34	300A														3 3
Brake IGBT																		
6KAF61884	\$1510.00	Dual IGBT Module	31/33	150A											1	1	1	
6KAF61400	\$2105.00	Dual IGBT Module	32/34	200A														1
6KAF61886	\$2595.00	Dual IGBT Module	32/34	300A														
Rectifiers																		
6KAF61887	\$820.00	Thyristor Module	31/33	180A											3	3	3	
6KAF61888	\$1130.00	Thyristor Module	32/34	240A														3 3
RFI Filters																		
6KAF63378	\$680.00	RFI Filter (class A2)	21	-						1	1	1						
6KAF63381	\$685.00	RFI Filter (class A2)	22	-									1	1				
6KAF63427	\$40.00	RFI Filter (class A2)	31	-											1	1		
6KAF63377	\$1235.00	RFI Filter (class A1/B)	21	-						1	1	1						
6KAF63380	\$1495.00	RFI Filter (class A1/B)	22	-									1	1				
6KAF63425	\$4265.00	RFI Filter (class A1/B)	31	-									1	1				
6KAF63422	\$4750.00	RFI Filter (class A1/B)	32	-											1	1	1	
6KAF61412	\$1325.00	RFI Filter (class A1/B)	23	-													1	1
6KAF61416	\$1535.00	RFI Filter (class A1/B)	24	-						1	1	1						
6KAF61419	\$2565.00	RFI Filter (class A1/B)	33	-													1	1
6KAF61420	\$3185.00	RFI Filter (class A1/B)	34	-														1 1
Current Transducers																		
6KAF61894	\$1310.00	Current Transducer Card	31/33	-											1	1	1	
6KAF61897	\$1620.00	Current Transducer Card	32/34	-														1 1
DC Link																		
6KAF65160	\$910.00	DC Capacitors	31/32	3700uF												2		
6KAF65159	\$1050.00	DC Capacitors	31/32	4500uF													2	
6KAF65158	\$1275.00	DC Capacitors	31/32	5300uF														2
6KAF65157	\$825.00	DC Capacitors	31/32	3700uF														2
6KAF65156	\$1030.00	DC Capacitors	31/32	4500uF														2
6KAF61421	\$1625.00	DC Capacitors	33/34	5300uF														2
6KAF61422	\$675.00	DC Capacitors	33/34	3700uF														2
6KAF61423	\$1440.00	DC Capacitors	33/34	4500uF														2
6KAF61060	\$1200.00	DC Link Reactors	21	780mH					1	1								2
6KAF61061	\$1260.00	DC Link Reactors	21	580mH														
6KAF61062	\$1260.00	DC Link Reactors	22	490mH						1								
6KAF61063	\$1385.00	DC Link Reactors	22	410mH									1					
6KAF61035	\$2205.00	DC Link Reactors	31	300mH										1				
6KAF61036	\$2630.00	DC Link Reactors	31	260mH											1			
6KAF61037	\$2960.00	DC Link Reactors	31	200mH												1		
6KAF61038	\$3535.00	DC Link Reactors	32	170mH													1	
6KAF61039	\$4090.00	DC Link Reactors	32	100mH														1
6KAF61954	\$2015.00	DC Link Assembly	24	-											1			1
6KAF61955	\$2500.00	DC Link Assembly	24	-												1	1	
Fans																		
6KAF61009	\$160.00	Fan Assembly	12	-						1	1	1	1					
6KAF61010	\$160.00	Fan Assembly	13	-										1	1			
6KAF61017	\$295.00	Fan Assembly	15	-						1	1	1	1	1	1			
6KAF63563	\$270.00	External Fan (IP20)	23	12W							1	1	1					
6KAF63699	\$250.00	External Fan (IP20)	24	12W											1	1	1	
6KAF64292	\$250.00	External Fan (IP20)	33	12W													2	2
6KAF64294	\$355.00	External Fan (IP20)	34	18W													2	2
6KAF63407	\$455.00	External Fan (IP55)	21	22W						1	1	1						2
6KAF63406	\$640.00	External Fan (IP55)	22	22W										1	1			
6KAF63865	\$645.00	External Fan (IP55)	31	26W												1	1	1
6KAF63867	\$1235.00	External Fan (IP55)	32	22W														1
6KAF63440	\$100.00	Internal Fan	21/23	58W						1	1	1						1 1
6KAF63441	\$100.00	Internal Fan	22/24	58W														
6KAF63923	\$110.00	Internal Fan	31/32/33/34	58W											1	1	1	1 1
Accessory Bags																		
6KAF61022	\$275.00	Connectors Accessory Bag	12/13	-						1	1	1	1	1	1			
6KAF61023	\$240.00	Connectors Accessory Bag	15	-						1	1	1	1	1	1			
6KAF62060	\$120.00	Connectors Accessory Bag	21	-										1	1	1		
6KAF62061	\$125.00	Connectors Accessory Bag	22	-											1	1		
6KAF60980	\$140.00	Connectors Accessory Bag	23	-						1	1	1						
6KAF61300	\$270.00	Connectors Accessory Bag	24	-												1	1	1
6KAF60046	\$200.00	Connectors Accessory Bag	31	-													1	1
6KAF60047	\$210.00	Connectors Accessory Bag	32	-													1	1
6KAF60981	\$225.00	Connectors Accessory Bag	33	-														1 1
6KAF60982	\$270.00	Connectors Accessory Bag	34	-														1
6KAF60983	\$270.00	Connectors Accessory Bag	34	-														1
6KAF60633	\$55.00	Brake and Load Sharing Connectors Bag	12/13/15	-						1	1	1	1	1	1			



Drives

AF-600FP™ Fan and Pump Drive

Replacement Parts

Section 15

IP 20 - 575 Vac, 3-Phase, 50/60Hz Input
 IP 55/66 - 575 Vac, 3-Phase, 50/60Hz Input

Product Number	List Price GO-SRP	Description	Unit Size	Rating	Drive Hp and Quantity Per Drive													
					1	2	3	5	7.5	10	15	20	25	30	40	50	60	75
Main Control Card																		
6KAF61151	\$950.00	Control Card	-	-	1	1	1	1	1	1	1	1	1	1	1	1	1	1
Keypad																		
KYPDACGP1	\$500.00	Replacement Graphical Keypad	-	-	1	1	1	1	1	1	1	1	1	1	1	1	1	1
6KAF61007	\$45.00	Frame w/o option A or B	12/13/23	-	1	1	1	1	1	1	1	1	1	1	1	1	1	1
6KAF61008	\$60.00	Frame w option A or B	12/13/23	-	1	1	1	1	1	1	1	1	1	1	1	1	1	1
6KAF60284	\$75.00	Frame	24/33/34	-	1	1	1	1	1	1	1	1	1	1	1	1	1	1
6KAF63414	\$40.00	Frame	15/21/22/31/32	-	1	1	1	1	1	1	1	1	1	1	1	1	1	1
6KAF61011	\$40.00	Terminal cover w/o option A or B	12/13	-	1	1	1	1	1	1	1	1	1	1	1	1	1	1
6KAF61012	\$40.00	Terminal cover w option A or B	12/13	-	1	1	1	1	1	1	1	1	1	1	1	1	1	1
6KAF61411	\$65.00	Terminal cover	23	-	1	1	1	1	1	1	1	1	1	1	1	1	1	1
6KAF61410	\$95.00	Terminal cover	23	-	1	1	1	1	1	1	1	1	1	1	1	1	1	1
Power Card																		
6KAF61857	\$5020.00	Power Card	21	-	1	1	1	1	1	1	1	1	1	1	1	1	1	1
6KAF61858	\$5020.00	Power Card	21	-	1	1	1	1	1	1	1	1	1	1	1	1	1	1
6KAF61859	\$5020.00	Power Card	21	-	1	1	1	1	1	1	1	1	1	1	1	1	1	1
6KAF61935	\$5200.00	Power Card	22	-	1	1	1	1	1	1	1	1	1	1	1	1	1	1
6KAF61940	\$5200.00	Power Card	22	-	1	1	1	1	1	1	1	1	1	1	1	1	1	1
6KAF61928	\$1735.00	Power Card	31	-	1	1	1	1	1	1	1	1	1	1	1	1	1	1
6KAF61929	\$1735.00	Power Card	31	-	1	1	1	1	1	1	1	1	1	1	1	1	1	1
6KAF61930	\$1735.00	Power Card	31	-	1	1	1	1	1	1	1	1	1	1	1	1	1	1
6KAF61931	\$1920.00	Power Card	32	-	1	1	1	1	1	1	1	1	1	1	1	1	1	1
6KAF61932	\$1920.00	Power Card	32	-	1	1	1	1	1	1	1	1	1	1	1	1	1	1
6KAF61960	\$4925.00	Power Card	23	-	1	1	1	1	1	1	1	1	1	1	1	1	1	1
6KAF61961	\$2925.00	Power Card	23	-	1	1	1	1	1	1	1	1	1	1	1	1	1	1
6KAF61962	\$5110.00	Power Card	23	-	1	1	1	1	1	1	1	1	1	1	1	1	1	1
6KAF61963	\$5200.00	Power Card	24	-	1	1	1	1	1	1	1	1	1	1	1	1	1	1
6KAF61964	\$5300.00	Power Card	24	-	1	1	1	1	1	1	1	1	1	1	1	1	1	1
6KAF61965	\$5390.00	Power Card	24	-	1	1	1	1	1	1	1	1	1	1	1	1	1	1
6KAF61966	\$1825.00	Power Card	33	-	1	1	1	1	1	1	1	1	1	1	1	1	1	1
6KAF61967	\$1825.00	Power Card	33	-	1	1	1	1	1	1	1	1	1	1	1	1	1	1
6KAF61968	\$1920.00	Power Card	34	-	1	1	1	1	1	1	1	1	1	1	1	1	1	1
6KAF61969	\$1920.00	Power Card	34	-	1	1	1	1	1	1	1	1	1	1	1	1	1	1
6KAF61875	\$2085.00	Switch Mode Power Supply	22	-	1	1	1	1	1	1	1	1	1	1	1	1	1	1
6KAF61876	\$2085.00	Switch Mode Power Supply	22	-	1	1	1	1	1	1	1	1	1	1	1	1	1	1
Inverter IGBTs																		
6KAF61403	\$1475.00	Dual IGBT Module	31/33	100A	1	1	1	1	1	1	1	1	1	1	1	1	1	1
6KAF61409	\$1745.00	Dual IGBT Module	31/33	150A	1	1	1	1	1	1	1	1	1	1	1	1	1	1
6KAF61404	\$2400.00	Dual IGBT Module	32/34	200A	1	1	1	1	1	1	1	1	1	1	1	1	1	1
6KAF61432	\$3950.00	Dual IGBT Module	32/34	300A	1	1	1	1	1	1	1	1	1	1	1	1	1	1
Brake IGBT																		
6KAF61403	\$1475.00	Dual IGBT Module	31/33	100A	1	1	1	1	1	1	1	1	1	1	1	1	1	1
6KAF61404	\$2400.00	Dual IGBT Module	31/33	200A	1	1	1	1	1	1	1	1	1	1	1	1	1	1
Rectifiers																		
6KAF61429	\$1165.00	Thyristor Module	31/33	115A	1	1	1	1	1	1	1	1	1	1	1	1	1	1
6KAF61430	\$1920.00	Thyristor Module	32/34	220A	1	1	1	1	1	1	1	1	1	1	1	1	1	1
RFI Filters																		
6KAF63378	\$680.00	RFI Filter (class A2)	21	-	1	1	1	1	1	1	1	1	1	1	1	1	1	1
6KAF63381	\$685.00	RFI Filter (class A2)	22	-	1	1	1	1	1	1	1	1	1	1	1	1	1	1
6KAF63427	\$40.00	RFI Filter (class A2)	31	-	1	1	1	1	1	1	1	1	1	1	1	1	1	1
6KAF63377	\$1235.00	RFI Filter (class A1/B)	21	-	1	1	1	1	1	1	1	1	1	1	1	1	1	1
6KAF63380	\$1495.00	RFI Filter (class A1/B)	22	-	1	1	1	1	1	1	1	1	1	1	1	1	1	1
6KAF63425	\$4265.00	RFI Filter (class A1/B)	31	-	1	1	1	1	1	1	1	1	1	1	1	1	1	1
6KAF63422	\$4750.00	RFI Filter (class A1/B)	32	-	1	1	1	1	1	1	1	1	1	1	1	1	1	1
6KAF61412	\$1325.00	RFI Filter (class A1/B)	23	-	1	1	1	1	1	1	1	1	1	1	1	1	1	1
6KAF61416	\$1535.00	RFI Filter (class A1/B)	24	-	1	1	1	1	1	1	1	1	1	1	1	1	1	1
6KAF61419	\$2575.00	RFI Filter (class A1/B)	33	-	1	1	1	1	1	1	1	1	1	1	1	1	1	1
6KAF61420	\$3185.00	RFI Filter (class A1/B)	34	-	1	1	1	1	1	1	1	1	1	1	1	1	1	1
Current Transducers																		
6KAF61898	\$1625.00	Current Transducer Card	31/33	-	1	1	1	1	1	1	1	1	1	1	1	1	1	1
6KAF61899	\$1640.00	Current Transducer Card	32/34	-	1	1	1	1	1	1	1	1	1	1	1	1	1	1
DC Link																		
6KAF61424	\$860.00	DC Capacitors	31/33	4500uF	1	1	1	1	1	1	1	1	1	1	1	1	1	1
6KAF61425	\$1360.00	DC Capacitors	32/34	2700uF	1	1	1	1	1	1	1	1	1	1	1	1	1	1
6KAF61060	\$1200.00	DC Link Reactors	21	780mH	1	1	1	1	1	1	1	1	1	1	1	1	1	1
6KAF61061	\$1260.00	DC Link Reactors	21	580mH	1	1	1	1	1	1	1	1	1	1	1	1	1	1
6KAF61062	\$1260.00	DC Link Reactors	22	490mH	1	1	1	1	1	1	1	1	1	1	1	1	1	1
6KAF61063	\$1385.00	DC Link Reactors	22	410mH	1	1	1	1	1	1	1	1	1	1	1	1	1	1
6KAF61035	\$2210.00	DC Link Reactors	31	300mH	1	1	1	1	1	1	1	1	1	1	1	1	1	1
6KAF61036	\$2630.00	DC Link Reactors	31	260mH	1	1	1	1	1	1	1	1	1	1	1	1	1	1
6KAF61037	\$2600.00	DC Link Reactors	31	200mH	1	1	1	1	1	1	1	1	1	1	1	1	1	1
6KAF61038	\$3535.00	DC Link Reactors	32	170mH	1	1	1	1	1	1	1	1	1	1	1	1	1	1
6KAF61039	\$4100.00	DC Link Reactors	32	100mH	1	1	1	1	1	1	1	1	1	1	1	1	1	1
6KAF61959	\$2325.00	DC Link Assembly	24	-	1	1	1	1	1	1	1	1	1	1	1	1	1	1



Drives

AF-600FP™ Fan and Pump Drive Replacement Parts

IP 20 - 575 Vac, 3-Phase, 50/60Hz Input (continued)
 IP 55/66 - 575 Vac, 3-Phase, 50/60Hz Input (continued)

Product Number	List Price GO-SRP	Description	Unit Size	Rating	Drive Hp and Quantity Per Drive															
					1	2	3	5	7.5	10	15	20	25	30	40	50	60	75	100	125
Fans																				
6KAF61010	\$160.00	Fan Assembly	13	-	1	1	1	1	1	1										
6KAF61017	\$295.00	Fan Assembly	15	-	1	1	1	1	1	1										
6KAF63563	\$270.00	External Fan (IP20)	23	12W							1	1	1							
6KAF63699	\$250.00	External Fan (IP20)	24	12W																
6KAF6A292	\$250.00	External Fan (IP20)	33	12W									1	1	1					
6KAF6A294	\$355.00	External Fan (IP20)	34	18W												2	2			
6KAF63407	\$455.00	External Fan (IP55)	21	22W						1	1	1						2	2	
6KAF63406	\$640.00	External Fan (IP55)	22	22W									1	1						
6KAF63865	\$645.00	External Fan (IP55)	31	26W											1	1	1			
6KAF63867	\$1235.00	External Fan (IP55)	32	22W																
6KAF63440	\$105.00	Internal Fan	21/23	5 8W						1	1	1						1	1	
6KAF63441	\$105.00	Internal Fan	22/24	5 8W									1	1	1					
6KAF63923	\$110.00	Internal Fan	31/32/33/34	5 8W											1	1	1	1	1	
Accessory Bags																				
6KAF61022	\$275.00	Connectors Accessory Bag	12/13	-	1	1	1	1	1	1										
6KAF61023	\$240.00	Connectors Accessory Bag	15	-	1	1	1	1	1	1										
6KAF62060	\$120.00	Connectors Accessory Bag	21	-							1	1	1							
6KAF62061	\$125.00	Connectors Accessory Bag	22	-										1	1					
6KAF60980	\$140.00	Connectors Accessory Bag	23	-							1	1	1							
6KAF61300	\$270.00	Connectors Accessory Bag	24	-							1	1	1							
6KAF60046	\$200.00	Connectors Accessory Bag	31	-									1	1	1					
6KAF60047	\$210.00	Connectors Accessory Bag	32	-												1	1	1		
6KAF60981	\$225.00	Connectors Accessory Bag	33	-														1	1	
6KAF60982	\$270.00	Connectors Accessory Bag	34	-														1	1	
6KAF60983	\$270.00	Connectors Accessory Bag	34	-															1	
6KAF60633	\$55.00	Brake and Load Sharing Connectors Bag	12/13/15	-	1	1	1	1	1	1										1

High Power

IP 00 - 460 Vac, 3-Phase, 50/60Hz Input
 IP 21/54 - 460 Vac, 3-Phase, 50/60Hz Input

Product Number	List Price GO-SRP	Description	Unit Size	Rating	Drive Hp and Quantity Per Drive														
					150	200	250	300	350	450	500	550	600	650	750	900	1000	1200	1350
Main Control Card																			
6KAF61109	\$950.00	Control Card	-	-	1	1	1	1	1	1	1	1	1	1	1	1	1	1	1
Keypad																			
KVPDACP1	\$500.00	Replacement Graphical Keypad	-	-	1	1	1	1	1	1	1	1	1	1	1	1	1	1	1
6KAF63414	\$40.00	Frame	-	-	1	1	1	1	1	1	1	1	1	1	1	1	1	1	1
Power Card																			
6KAF6H8652	\$2100.00	PCA3 - Power card	-	-	1														
6KAF6H8653	\$2100.00	PCA3 - Power Card	-	-		1													
6KAF6H8654	\$2100.00	PCA3 - Power Card	-	-			1												
6KAF6H8655	\$2100.00	PCA3 - Power Card	-	-				1											
6KAF6H8656	\$2100.00	PCA3 - Power Card	-	-					1										
6KAF6H8657	\$2100.00	PCA3 - Power Card	-	-						1									
6KAF6H8658	\$2100.00	PCA3 - Power Card	-	-							1								
6KAF6H8659	\$2100.00	PCA3 - Power Card	-	-								1							
6KAF6H8660	\$2100.00	PCA3 - Power Card	-	-									1						
6KAF6H8774	\$2625.00	Power Card	-	-										1					
6KAF6H8775	\$2625.00	Power Card	-	-											1				
6KAF6H8776	\$2625.00	Power Card	-	-												3			
6KAF6H8777	\$2625.00	Power Card	-	-													3		
6KAF6H8778	\$2625.00	Power Card	-	-														3	
6KAF6H8779	\$2625.00	Power Card	-	-															4
6KAF6H8308	\$95.00	PCAA - Current Scaling PCA, 4 54 Ohm	-	-	1														4
6KAF6H8309	\$95.00	PCAA - Current Scaling PCA, 3 79 Ohm	-	-		1													
6KAF6H8310	\$100.00	PCAA - Current Scaling PCA, 3 10 Ohm	-	-			1												
6KAF6H8311	\$95.00	PCAA - Current Scaling PCA, 2 56 Ohm	-	-				1											
6KAF6H8312	\$100.00	PCAA - Current Scaling PCA, 5 10 Ohm	-	-					1										3
6KAF6H8554	\$100.00	PCAA - Current Scaling PCA, 4 21 Ohm	-	-						1									
6KAF6H8627	\$135.00	PCAA - Current Scaling PCA, 2 32 Ohm	-	-							1								3
6KAF6H8773	\$1840.00	MDCIC board, CC	-	-										1					2
6KAF6H8626	\$1640.00	PCA5 - Gate Drive PCA, CC	-	-	1	1	1	1	1	1	1	1	1	1	1	1	1	1	1
6KAF6H8307	\$215.00	PCAB - HF PCA	-	-	1	1	1	1	1	1	1	1	1	1	1	1	1	1	1
6KAF6H8306	\$1535.00	PCA11 - Softcharge PCA, CC	-	-	1	1	1	1	1	1	1	1	1	1	1	1	1	1	1
6KAF6H8555	\$1540.00	PCA11 - Softcharge PCA, CC	-	-	1	1	1	1	1	1	1	1	1	1	1	1	1	1	1
6KAF6H8510	\$240.00	PCA9 - Balance PCA	-	-	1	1	1	2	2	2	2	2	2	2	2	2	2	2	2



Drives

AF-600FP™ Fan and Pump Drive Replacement Parts

Section 15

IP 00 - 460 Vac, 3-Phase, 50/60Hz Input (continued)
 IP 21/54 - 460 Vac, 3-Phase, 50/60Hz Input (continued)

Product Number	List Price GO-5RP	Description	Unit Size	Rating	Drive Hp and Quantity Per Drive												
					150	200	250	300	350	450	500	550	600	650	750	900	1000
Inverter IGBTs																	
6KAF6H8628	\$5700.00	IGBT 1, 2 - IGBT kit, 300A	-	-	1		2	2									
6KAF6H8629	\$7630.00	IGBT 1, 2 - IGBT kit, 450A	-	-		1			2								
6KAF6H8630	\$5740.00	IGBT 1, 2, 3 - IGBT kit, 300A	-	-						3							
6KAF6H8631	\$7790.00	IGBT 1, 2, 3 - IGBT kit, 450A	-	-							3	3	3				
6KAF6H8323	\$105.00	C 2,3,4,5,6,7,8,9,10 - CAP IGBT Snubber, 1000V, 15uF	-	-	3	3	6	6	6	9	9	9	9				
6KAF6H8743	\$107800.00	Inverter Module	-	-									2				
6KAF6H8744	\$127300.00	Inverter Module	-	-										2			
6KAF6H8745	\$144000.00	Inverter Module	-	-											2		
6KAF6H8746	\$171250.00	Inverter Module	-	-												2	
6KAF6H8747	\$127300.00	Inverter Module	-	-													2
6KAF6H8748	\$144000.00	Inverter Module	-	-													3
Brake IGBT																	
6KAF6H8316	\$3370.00	IGBT 4,5 - Brake IGBT kit	-	-	1	1	2	2	2	2	2	2	2				
Rectifiers																	
6KAF6H8317	\$1400.00	SCR 1, 2, 3 - SCR/Diode kit, 160A	-	-	3	3											
6KAF6H8318	\$1435.00	SCR 1, 2, 3 - SCR/Diode kit, 175A	-	-			3										
6KAF6H8319	\$2275.00	SCR 1, 2, 3 - SCR/Diode kit, 250A	-	-				3									
6KAF6H8320	\$2460.00	SCR 1, 2, 3 - SCR/Diode kit, 330A	-	-					3								
6KAF6H8558	\$2620.00	SCR 1, 2, 3 - SCR kit, 500A	-	-						3	3	3	3				
6KAF6H8559	\$2340.00	D 1, 2, 3 - Diode kit, 600A	-	-						3	3	3	3				
6KAF6H8712	\$101810.00	Rectifier Module	-	-										1			
6KAF6H8713	\$101810.00	Rectifier Module	-	-											1		
6KAF6H8714	\$137000.00	Rectifier Module	-	-												1	
6KAF6H8715	\$137000.00	Rectifier Module	-	-													1
6KAF6H8716	\$185000.00	Rectifier Module	-	-													1
6KAF6H8717	\$185000.00	Rectifier Module	-	-													1
Current Transducers																	
6KAF6H8342	\$525.00	L 2,3,4 - Current Sensor, 300A	-	-	3	3	3	3									
6KAF6H8343	\$755.00	L 2,3,4 - Current Sensor, 500A	-	-					3	3							
6KAF6H8563	\$1925.00	L 2,3,4 - Current Sensor, 1000A	-	-							3	3	3				
DC Link																	
6KAF6H8324	\$4570.00	CBANK 1, 2 - CAP Bank, 4 Cap	-	-	1		2	1									
6KAF6H8325	\$6115.00	CBANK 1, 2 - CAP Bank, 6 Cap	-	-		1	1		1								
6KAF6H8636	\$8410.00	CBANK 1, 2 - CAP Bank, 6 Cap	-	-						2	1						
6KAF6H8637	\$9570.00	CBANK 1, 2 - CAP Bank, 8 Cap	-	-							1	2	2				
6KAF6H8337	\$3185.00	L1 - Bus Inductor, 200uH	-	-	1												
6KAF6H8338	\$3380.00	L1 - Bus Inductor, 157uH	-	-		1											
6KAF6H8339	\$3720.00	L1 - Bus Inductor, 136uH	-	-			1										
6KAF6H8340	\$3950.00	L1 - Bus Inductor, 109uH	-	-				1									
6KAF6H8341	\$4175.00	L1 - Bus Inductor, 87uH	-	-					1								
6KAF6H8564	\$6600.00	L1 - Bus Inductor, 62uH	-	-						1							
6KAF6H8565	\$7140.00	L1 - Bus Inductor, 51uH	-	-							1	1	1	1			
6KAF6H8322	\$515.00	R1 - Softcharge Resistor, 27 Ohm, 110W	-	-	1	1	1	1	1								
6KAF6H8560	\$575.00	R1 - Softcharge Resistor, 27 Ohm, 155W	-	-						1	1	1	1				
Fuses																	
6KAF6H8334	\$300.00	FU 1,2,3 - Fuse Main, 350A	-	-	3	3											
6KAF6H8335	\$345.00	FU 1,2,3 - Fuse Main, 630A	-	-						3	3	3					
6KAF6H8591	\$560.00	FU 1,2,3 - Fuse Main, 700A	-	-							3						
6KAF6H8592	\$840.00	FU 1,2,3 - Fuse Main, 900A	-	-								3	3	3			
6KAF6H8769	\$3460.00	Fuse Mains, 2000A	-	-											3	3	3
6KAF6H8770	\$3860.00	Fuse Mains, 2500A	-	-												3	3
6KAF6H8767	\$1555.00	Fuse DC, 1100A	-	-													3
6KAF6H8768	\$1370.00	Fuse DC, 1400 A	-	-													6
6KAF6H8336	\$130.00	Fuse Softcharge, 20A, PKG3	-	-	1	1	1	1	1	1	1	1	1				6
6KAF6H8440	\$80.00	FU 5 - Fuse, 4A, PKG3, Power PCA, Fan	-	-	1	1	1	1	1	1	1	1	1				
6KAF6H8440	\$80.00	FU 4 - Fuse, 4A, PKG3 Power PCA Fan	-	-	1	1	1	1	1	1	1	1	1				
6KAF6H8609	\$225.00	FU 4 - Fuse, 15A, PKG3, Fan	-	-							1	1	1				
Fans																	
6KAF6H8329	\$2185.00	F1-C1 - Heatsink Fan Assy	-	-	1	1	1	1	1								
6KAF6H8578	\$4270.00	F1-C1 - Heatsink Fan Assy	-	-						1							
6KAF6H8579	\$9975.00	F1-C1 - Heatsink Fan Assy	-	-							1	1	1				
6KAF6H8771	\$2990.00	Fan Heatsink	-	-													
6KAF6H8330	\$1580.00	F 2, 3 - Door Fan Kit	41/42/51	-	1	1	1	1	1	1	1	1	1				4
6KAF6H8331	\$170.00	Door Vent Kit	41/42/51	-	1	1	1	1	1	1	1	1	1				
6KAF6H8332	\$155.00	Door Fan Filter, PKG10 (IP54/Nema 12 Drive)	41/42/51	-	1	1	1	1	1	1	1	1	1				
6KAF6H8639	\$225.00	Fa - DC Top Fan, IP00/Chassis Unit Drive	43/44	-	1	1	1	1	1								
6KAF6H8333	\$1150.00	F 2, 3 - Door/Top AC Fan	41/42/51	-	1	1	1	1	1	1	1	1	1				
6KAF6H8772	\$4250.00	Door Fan	-	-													3



Drives

AF-600FP™ Fan and Pump Drive Replacement Parts

Section 15

IP 00 - 460 Vac, 3-Phase, 50/60Hz Input (continued)

IP 21/54 - 460 Vac, 3-Phase, 50/60Hz Input (continued)

Product Number	List Price GO-SRP	Description	Unit Size	Rating	Drive Hp and Quantity Per Drive												
					150	200	250	300	350	450	500	550	600	650	750	900	1000
Fans (continued)																	
6KAF6H8612	\$770.00	F5 - Fuse Fan Input Plate	-	-							1	1	1	1			
6KAF6H8344	\$500.00	TR1 - Fan Transformer Assy, 500VA	-	-		1	1	1	1	1							
6KAF6H8566	\$580.00	TR1 - Fan Transformer Assy	-	-						1							
6KAF6H8567	\$1990.00	TR1 - Fan Transformer Assy, 1500VA	-	-							1						
6KAF6H8577	\$1410.00	L5 - Heatsink Fan Inductor	-	-							1	1	1				

IP 00 - 575 Vac, 3-Phase, 50/60Hz Input

IP 21/54 - 575 Vac, 3-Phase, 50/60Hz Input

Product Number	List Price GO-SRP	Description	Unit Size	Rating	Drive Hp and Quantity Per Drive												
					150	200	250	300	350	400	450	500	600	650	750	950	1050
Main Control Card																	
6KAF61109	\$950.00	Control Card	-	-		1	1	1	1	1	1	1	1	1	1	1	1
Keypad																	
6KAF61107	\$500.00	Replacement Graphical Keypad	-	-		1	1	1	1	1	1	1	1	1	1	1	1
6KAF61007	\$40.00	Frame	-	-		1	1	1	1	1	1	1	1	1	1	1	1
Power Card																	
6KAF6H8661	\$2100.00	Power Card	-	-		1											
6KAF6H8662	\$2100.00	Power Card	-	-			1										
6KAF6H8663	\$2100.00	Power Card	-	-				1									
6KAF6H8664	\$2100.00	Power Card	-	-					1								
6KAF6H8665	\$2100.00	Power Card	-	-						1							
6KAF6H8666	\$2100.00	Power Card	-	-							1						
6KAF6H8667	\$2100.00	Power Card	-	-								1					
6KAF6H8668	\$2100.00	Power Card	-	-									1				
6KAF6H8669	\$2100.00	Power Card	-	-										1			
6KAF6H8670	\$2100.00	Power Card	-	-											1		
6KAF6H8786	\$2625.00	Power Card	-	-												1	
6KAF6H8787	\$2625.00	Power Card	-	-													3
6KAF6H8788	\$2625.00	Power Card	-	-													3
6KAF6H8789	\$2625.00	Power Card	-	-													3
6KAF6H8791	\$2625.00	Power Card	-	-													4
6KAF6H8308	\$95.00	PCAA - Current Scaling PCA, 4 54 Ohm	-	-			1										4
6KAF6H8309	\$95.00	PCAA - Current Scaling PCA, 3 79 Ohm	-	-				1									3
6KAF6H8310	\$95.00	PCAA - Current Scaling PCA, 3 10 Ohm	-	-					1								3
6KAF6H8311	\$95.00	PCAA - Current Scaling PCA, 2 56 Ohm	-	-						1							2
6KAF6H8312	\$95.00	PCAA - Current Scaling PCA, 5 10 Ohm	-	-							1						2
6KAF6H8525	\$95.00	PCAA - Current Scaling PCA, 5 85 Ohm	-	-								1					2
6KAF6H8773	\$1840.00	MDCIC Board, CC	-	-												1	1
6KAF6H8626	\$1640.00	PCA5 - Gate Drive PCA, CC	-	-			1	1	1	1	1	1	1	1	1	1	1
6KAF6H8523	\$215.00	PCAB - HF PCA	-	-			1	1	1	1	1	1	1	1	1	1	1
6KAF6H8522	\$1535.00	PCA11 - Softcharge PCA, CC	-	-			1	1	1	1	1	1	1	1	1	1	1
6KAF6H8466	\$1535.00	PCA11 - Softcharge PCA, CC	-	-								1	1	1	1	1	1
6KAF6H8526	\$25.00	PCA9 - Balance, PCA	-	-			1	1	2	2	2	2	2	2	2	2	2
Inverter IGBTs																	
6KAF6H8632	\$8300.00	IGBT1, 2 - IGBT kit, 300A	-	-			1		2	2							
6KAF6H8633	\$10815.00	IGBT1, 2 - IGBT kit, 450A	-	-				1		2	2						
6KAF6H8634	\$8440.00	IGBT1, 2, 3 - IGBT kit, 300A	-	-							2	2					
6KAF6H8635	\$10975.00	IGBT1, 2, 3 - IGBT kit, 450A	-	-								3	3				
6KAF6H8534	\$160.00	C2,3,4,5,6,7,8,9,10 - CAP IGBT Snubber, 1250V, 1uF	-	-			3	3	6	6	6	6	9	9	9	9	
6KAF6H8755	\$196925.00	Inverter Module	-	-													1
6KAF6H8756	\$291985.00	Inverter Module	-	-													2
6KAF6H8757	\$122260.00	Inverter Module	-	-													2
6KAF6H8758	\$196925.00	Inverter Module	-	-													2
6KAF6H8759	\$291985.00	Inverter Module	-	-													3
Brake IGBT																	
6KAF6H8316	\$3370.00	IGBT4, 5 - Brake IGBT kit	-	-			1	1	2	2	2	2	2	2	2	2	2
Rectifiers																	
6KAF6H8529	\$1415.00	SCR1, 2, 3 - SCR/Diode kit, 160A	-	-			3	3	3								
6KAF6H8530	\$2830.00	SCR1, 2, 3 - SCR/Diode kit, 280A	-	-						3	3	3					
6KAF6H8434	\$3360.00	SCR1, 2, 3 - SCR kit, 430A	-	-								3	3	3	3		
6KAF6H8435	\$4290.00	D1, 2, 3 - Diode kit, 540A	-	-									3	3	3	3	
6KAF6H8724	\$265810.00	Rectifier Module	-	-													1
6KAF6H8725	\$265810.00	Rectifier Module	-	-													1
6KAF6H8726	\$265810.00	Rectifier Module	-	-													1
6KAF6H8727	\$357675.00	Rectifier Module	-	-													1
6KAF6H8728	\$357675.00	Rectifier Module	-	-													1



Drives

AF-600FP™ Fan and Pump Drive Replacement Parts

Section 15

IP 00 - 575 Vac, 3-Phase, 50/60Hz Input (continued)

IP 21/54 - 575 Vac, 3-Phase, 50/60Hz Input (continued)

Product Number	List Price GO-SRP	Description	Unit Size	Rating	Drive Hp and Quantity Per Drive												
					150	200	250	300	350	400	450	500	600	650	750	950	1050
Current Transducers																	
6KAF6H8342	\$525.00	L2 3, 4 - Current Sensor, 300A	-	-	3	3	3	3	3								
6KAF6H8343	\$750.00	L2 3, 4 - Current Sensor, 500A	-	-						3	3	3	3				
6KAF6H8563	\$1925.00	L2 3, 4 - Current Sensor, 1000A	-	-										3			
DC Link																	
6KAF6H8532	\$5420.00	CBANK1, 2 - CAP Bank, 4 Cap	-	-	1		2	2	1								
6KAF6H8533	\$7360.00	CBANK1, 2 - CAP Bank, 6 Cap	-	-		1			1	2							
6KAF6H8638	\$12310.00	CBANK1, 2 - CAP Bank, 8 Cap	-	-							2	2	2	2			
6KAF6H8536	\$3435.00	L1 - Bus Inductor, 350uH	-	-	1												
6KAF6H8537	\$3550.00	L1 - Bus Inductor, 250uH	-	-		1											
6KAF6H8538	\$3975.00	L1 - Bus Inductor, 195uH	-	-			1	1									
6KAF6H8339	\$3720.00	L1 - Bus Inductor, 136uH	-	-					1								
6KAF6H8340	\$3950.00	L1 - Bus Inductor, 109uH	-	-						1							
6KAF6H8469	\$8730.00	L1 - Bus Inductor, 73uH	-	-							1	1	1	1			
6KAF6H8531	\$565.00	R1 - Softcharge Resistor, 68 Ohm, 110W	-	-	1	1	1	1	1	1							
6KAF6H8467	\$550.00	R1 - Softcharge Resistor, 68 Ohm, 155W	-	-							1	1	1	1			
Fuses																	
6KAF6H8334	\$300.00	FU1, 2, 3 - Fuse Main, 350A	-	-	3	3											
6KAF6H8591	\$560.00	FU1, 2, 3 - Fuse Main, 700A	-	-							3	3	3				
6KAF6H8592	\$850.00	FU1, 2, 3 - Fuse Main, 900A	-	-										3			
6KAF6H8540	\$570.00	FU1, 2, 3 - Fuse Main, 550A	-	-			3	3	3	3							
6KAF6H8769	\$3560.00	Fuse Mains, 2000A	-	-											3	3	3
6KAF6H8767	\$1555.00	Fuse DC, 1100A	-	-											4	4	4
6KAF6H8336	\$130.00	Fuse Softcharge, 20A, PKG3	-	-	1	1	1	1	1	1	1	1	1	1			
6KAF6H8440	\$80.00	FU5 - Fuse 4A PKG3 Power PCA Fan	-	-	1	1	1	1	1	1	1	1	1	1			
6KAF6H8440	\$80.00	FU4 - Fuse 4A PKG3 Power PCA Fan	-	-	1	1	1	1	1	1	1	1	1	1			
6KAF6H8609	\$225.00	FU4 - Fuse 15A PKG3 Fan	-	-											1	1	
Fans																	
6KAF6H8329	\$2185.00	F1+C1 - Heatsink Fan Assy	-	-	1	1	1	1	1	1							
6KAF6H8578	\$4275.00	F1+C1 - Heatsink Fan Assy	-	-							1	1					
6KAF6H8579	\$9975.00	F1+C1 - Heatsink Fan Assy	-	-										1	1		
6KAF6H8771	\$2990.00	Fan Heatsink	-	-											1	1	
6KAF6H8330	\$1580.00	F2,3 - Door Fan Kit	41/42/51	-	1	1	1	1	1	1	1	1	1	1	3	3	3
6KAF6H8331	\$170.00	Door Vent Kit	41/42/51	-	1	1	1	1	1	1	1	1	1	1			
6KAF6H8332	\$150.00	Door Fan Filter, PKG10 (IP54/Nema 12 Drive)	41/42/51	-	1	1	1	1	1	1	1	1	1	1			
6KAF6H8639	\$225.00	FA - DC Top Fan, IP00/Open Chassis Drive	43/44	-	1	1	1	1	1	1							
6KAF6H8333	\$1150.00	F2 - Door/Top AC Fan	52	-						1	1	1	1				
6KAF6H8333	\$1150.00	F2, 3 - Door/Top AC Fan	41/42/51	-	1	1	1	1	1	1	1	1	1	1			
6KAF6H8772	\$4250.00	Fan Door	-	-													
6KAF6H8535	\$800.00	TR1 - Fan Transformer Assy, 690V, 400VA	-	-	1	1	1	1	1	1	1	1	1	1	3	3	3
6KAF6H8471	\$570.00	TR1 - Fan Transformer Assy	-	-											1	1	
6KAF6H8577	\$1410.00	L5 - Heatsink Fan Inductor	-	-											1	1	

High Power Cables

IP 00 - 460 Vac, 3-Phase, 50/60Hz Input

IP 21/54 - 460 Vac, 3-Phase, 50/60Hz Input

Product Number	List Price GO-SRP	Description	Unit Size	Drive Hp and Quantity Per Drive									
				150	200	250	300	350	450	500	550	600	
Cables													
6KAF6H8640	\$70.00	CBL1 - Keypad Cable for IP54/Nema 12 Drive Type	41/42	-	1	1	1	1	1				
6KAF6H8586	\$75.00	CBL1 - Keypad Cable	5X							1	1	1	1
6KAF6H8641	\$80.00	CBL2 - Control Cable PCA, 44pin	4X 6, 5X	1	1	1	1	1	1	1	1	1	1
6KAF6H8541	\$185.00	CBL5 - Current Sensor Cable	4X	1	1						1	1	1
6KAF6H8349	\$365.00	CBL5 - Current Sensor Cable	42				1	1	1				
6KAF6H8568	\$235.00	CBL5 - Current Sensor Cable	5X								1		
6KAF6H8569	\$245.00	CBL5 - Current Sensor Cable	5X									1	
6KAF6H8542	\$75.00	CBL8 - HS Fan Cable	41	1	1							1	1
6KAF6H8359	\$100.00	CBL8 - HS Fan Cable	42										
6KAF6H8571	\$80.00	CBL8 - Fan Cable for IP00/Open Chassis Drive Type	51										
6KAF6H8572	\$120.00	CBL8 - Fan Cable for IP54/Nema 12 Drive Type	52									1	
6KAF6H8573	\$85.00	CBL8 - Fan Cable for IP00/Open Chassis Drive Type	51										1
6KAF6H8574	\$125.00	CBL8 - Fan Cable for IP54/Nema 12 Drive Type	52										1
6KAF6H8354	\$60.00	CBL9 - Softcharge Cable RST prime	4X	1	1	1	1	1	1				
6KAF6H8570	\$55.00	CBL9 - Softcharge Cable RST prime	5X									1	1
6KAF6H8358	\$55.00	CBL12 - Door Fan Cable	41/42	1	1	1	1	1	1	1	1	1	1
6KAF6H8544	\$110.00	CBL13 - SCR Cable	41	1	1								
6KAF6H8357	\$110.00	CBL13 - SCR Cable	42				1	1	1				
6KAF6H8575	\$205.00	CBL13 - SCR Cable	5X									1	1



Drives

AF-600FP™ Fan and Pump Drive Replacement Parts

Section 15

IP 00 - 460 Vac, 3-Phase, 50/60Hz Input (continued)

IP 21/54 - 460 Vac, 3-Phase, 50/60Hz Input (continued)

Product Number	List Price GO-SRP	Description	Unit Size	Drive Hp and Quantity Per Drive										
				150	200	250	300	350	450	500	550	600		
Cables (continued)														
6KAF6H8356	\$45.00	CBL14 - DC to Power PCA Cable	4X	1	1	1	1	1						
6KAF6H8576	\$50.00	CBL14 - DC to Power PCA Cable	5X						1	1	1	1	1	1
6KAF6H8830	\$20.00	CBL15 - RFI Switch Cable	4X	1	1	1	1	1						
6KAF6H8580	\$65.00	CBL15 - RFI Switch Cable	5X						1	1	1	1	1	1
6KAF6H8363	\$30.00	CBL16 - Gate Driver Cable, 16pin	41	1	1									
6KAF6H8350	\$41.00	CBL16 - Gate Driver Cable, 16pin	42			1	1	1						
6KAF6H8581	\$45.00	CBL16 - Gate Driver Cable, 16pin	5X						1	1	1	1	1	1
6KAF6H8364	\$60.00	CBL17,18,19 IGBT Gate Cable	41	3	3									
6KAF6H8351	\$95.00	CBL17,18,19 - IGBT Gate Cable	42			3	3	3						
6KAF6H8582	\$40.00	CBL17,18,19 - IGBT Gate Cable	51						3	3	3	3	3	3
6KAF6H8352	\$65.00	CBL20 - IGBT Temperature Cable	-	1	1	1	1	1	1	1	1	1	1	1
6KAF6H8365	\$40.00	CBL21 - Brake IGBT Cable	41	1	1									
6KAF6H8368	\$65.00	CBL21 - Brake IGBT Cable	42			1	1	1						
6KAF6H8583	\$85.00	CBL21 - Brake IGBT Cable	5X						1	1	1	1	1	1
6KAF6H8366	\$320.00	CBL22 - Brake Power Plus Cable	41	1	1									
6KAF6H8369	\$595.00	CBL22 - Brake Power Plus Cable	42			1	1	1						
6KAF6H8367	\$320.00	CBL23 - Brake Power Minus Cable	41	1	1									
6KAF6H8370	\$550.00	CBL23 - Brake Power Minus Cable	42			1	1	1						
6KAF6H8543	\$55.00	CBL24 - Softcharge RST Cable	41	1	1									
6KAF6H8353	\$75.00	CBL24 - Softcharge RST Cable	42			1	1	1						
6KAF6H8584	\$45.00	CBL24 - Softcharge RST Cable	5X						1	1	1	1	1	1
6KAF6H8355	\$45.00	CBL25 - Softcharge to DC Bus Cable	4X	1	1	1	1	1						
6KAF6H8585	\$40.00	CBL25 - Softcharge to DC Bus Cable	5X						1	1	1	1	1	1
6KAF6H8613	\$65.00	CBL26 - Fuse Fan Cable	5X						1	1	1	1	1	1
Terminals, Labels, Insulators														
6KAF6H8374	\$215.00	TB1 - Bus Bars, Terminals Line/Load	4X	3	3									
6KAF6H8375	\$260.00	TB1 - Bus Bars, Terminals Line/Load	4X			3	3	3						
6KAF6H8587	\$690.00	TB1 - Bus Bars, Terminal Block	5X						3	3	3	3	3	3
6KAF6H8374	\$215.00	TB2 - Bus Bars, Terminals Line/Load	4X	3	3									
6KAF6H8375	\$255.00	TB2 - Bus Bars, Terminals Line/Load	4X			3	3	3						
6KAF6H8587	\$690.00	TB2 - Bus Bars, Terminal Block	5X						3	3	3	3	3	3
6KAF6H8395	\$260.00	TB3 - Bus Bars, Terminal, Load Share & Brake	4X	2	2	2	2	2						
6KAF6H8399	\$410.00	TB3 - Bus Bars, Terminal, Load Share, Left	4X						1	1	1	1	1	1
6KAF6H8404	\$415.00	TB3 - Bus Bars, Terminal, Load Share, Right	4X						1	1	1	1	1	1
6KAF6H8395	\$260.00	TB4 - Bus Bars, Terminal, Load Share & Brake	4X	2	2									
6KAF6H8399	\$410.00	TB4 - Bus Bars, Terminal, Load Share, Left	4X			1	1	1						
6KAF6H8404	\$415.00	TB4 - Bus Bars, Terminal, Load Share, Right	4X			1	1	1						
6KAF6H8587	\$690.00	TB4 - Bus Bars, Terminal Block	5X						2	2	2	2	2	2
6KAF6H8371	\$135.00	TB1 - Terminal Insulator Line/Load	4X	1	1	1	1	1						
6KAF6H8588	\$155.00	TB1 - Insulator Terminal Block	5X						3	3	3	3	3	3
6KAF6H8371	\$135.00	TB2 - Terminal Insulator Line/Load	4X	1	1	1	1	1						
6KAF6H8588	\$155.00	TB2 - Insulator Terminal Block	5X						3	3	3	3	3	3
6KAF6H8372	\$80.00	TB3 - Terminal Insulator, Brake & Load Share	4X	1	1	1	1	1	1	1	1	1	1	1
6KAF6H8372	\$80.00	TB4 - Terminal Insulator, Brake & Load Share	4X	1	1	1	1	1						
6KAF6H8588	\$155.00	TB4 - Insulator Terminal Block	5X						2	2	2	2	2	2
6KAF6H8373	\$515.00	Terminal Block Label Set	4X	1	1	1	1	1						
6KAF6H8589	\$1460.00	Terminal Block Label Set	5X						1	1	1	1	1	1
6KAF6H8545	\$60.00	Insulator, Mylar for IGBT Bus	41	1	1									
6KAF6H8421	\$65.00	Insulator, Mylar for IGBT Bus	42			1	1	1						
6KAF6H8590	\$150.00	Insulator for IGBT- Chassis	5X						1	1	1	1	1	1
6KAF6H8547	\$30.00	Insulator for IGBT Snubber Capacitor Support	-	1	1	2	2	2						
6KAF6H8410	\$285.00	Bus Bar Stand Off, PKG10	-	12	12	17	17	17	11	11	11	11	11	11
6KAF6H8610	\$230.00	IGBT Output Standoff, PKG9	5X						9	9	9	9	9	9
Bus Bars														
6KAF6H8380	\$145.00	Bus Bars, SCR, R S T	4X	3	3									
6KAF6H8548	\$95.00	Bracket, SCR Bus Bars Support	4X	1	1									
6KAF6H8394	\$210.00	Bus Bars, SCR Input	4X			3								
6KAF6H8387	\$180.00	Bus Bars, SCR Plus, 1	4X					3	3					
6KAF6H8595	\$1270.00	Bus Bars, SCR/DI Input	5X						3	3	3	3	3	3
6KAF6H8379	\$620.00	Bus Bars Assy, SCR	4X	1	1									
6KAF6H8381	\$150.00	Bus Bars, SCR Minus	4X	2	2									
6KAF6H8393	\$325.00	Bus Bars, SCR DC	-			2								
6KAF6H8385	\$290.00	Bus Bars, SCR Minus, 1	4X				2	2						
6KAF6H8386	\$380.00	Bus Bars, SCR Minus, 2	4X			1	1	1						
6KAF6H8388	\$380.00	Bus Bars, SCR Plus, 2	4X			1	1	1						
6KAF6H8596	\$1535.00	Bus Bars, SCR/DI Output	5X						2	2	2	2	2	2
6KAF6H8597	\$2500.00	Bus Bars, DC Bus Plus, Before DC Reactor	5X						1	1	1	1	1	1
6KAF6H8598	\$2500.00	Bus Bars, DC Bus Minus, Before DC Reactor	5X						1	1	1	1	1	1
6KAF6H8549	\$150.00	Bus Bars, DC Link, Plus	4X	1	1									
6KAF6H8391	\$190.00	Bus Bars, DC Link, Plus	4X	1	1									
6KAF6H8382	\$265.00	Bus Bars, DC Link Minus	4X			2	2	2						
6KAF6H8599	\$715.00	Bus Bars, DC Bus, After DC Reactor	5X						2	2	2	2	2	2
6KAF6H8376	\$670.00	Bus Bars Assy, IGBT	4X	1	1									



Drives

AF-600FP™ Fan and Pump Drive Replacement Parts

Section 15

IP 00 - 460 Vac, 3-Phase, 50/60Hz Input (continued)

IP 21/54 - 460 Vac, 3-Phase, 50/60Hz Input (continued)

Product Number	List Price GO-SRP	Description	Unit Size	Drive Hp and Quantity Per Drive										
				150	200	250	300	350	450	500	550	600		
Bus Bars (continued)														
6KAF6H8377	\$675.00	Bus Bars Assy, IGBT-Inductor	4X			1	1	1						
6KAF6H8378	\$690.00	Bus Bars Assy, IGBT-Capacitor	4X			1	1	1						
6KAF6H8600	\$3675.00	Bus Bars Assy, IGBT-Inductor	5X											
6KAF6H8601	\$865.00	Bus Bars Assy, IGBT-Capacitor	5X						1	1	1	1		
6KAF6H8390	\$100.00	Bus Bars, IGBT U V W	4X	3	3				3	3	3	3		
6KAF6H8392	\$230.00	Bus Bars, Motor, 2	4X	3	3									
6KAF6H8383	\$260.00	Bus Bars, Motor, U W	4X			2	2	2						
6KAF6H8384	\$215.00	Bus Bars, Motor, V	4X			1	1	1						
6KAF6H8389	\$220.00	Bus Bars, I-Sensor	4X			3	3	3						
6KAF6H8602	\$1175.00	Bus Bars, IGBT Output	5X						3	3	3	3		
6KAF6H8603	\$1180.00	Bus Bars, Over Fan Box	5X						3	3	3	3		
6KAF6H8604	\$530.00	Bus Bars, Current Sensor 5352	5X						3					
6KAF6H8605	\$550.00	Bus Bars, Current Sensor 5452-5502	4X								3	3	3	3
6KAF6H8397	\$190.00	Bus Bars, Brake Plus	4X	1	1									
6KAF6H8398	\$210.00	Bus Bars, Brake Minus	4X	1	1									
6KAF6H8396	\$320.00	Bus Bars, Brake	4X			1	1	1						
6KAF6H8606	\$8620.00	Bus Bars, Brake Assy	5X						1	1	1	1		
6KAF6H8401	\$475.00	Bus Bars, Load Share Plus	4X	1	1									
6KAF6H8400	\$460.00	Bus Bars, Load Share Minus	4X	1	1									
6KAF6H8403	\$855.00	Bus Bars, Load Share Plus	4X			1	1	1						
6KAF6H8402	\$655.00	Bus Bars, Load Share Minus	4X			1	1	1						
6KAF6H8607	\$2055.00	Bus Bars, Load Share Plus	5X						1	1	1	1		
6KAF6H8608	\$2070.00	Bus Bars, Load Share Minus	5X						1	1	1	1		
6KAF6H8405	\$1370.00	Bus Bars, SCR Input 2	4X	3	3									
6KAF6H8406	\$835.00	Bus Bars, SCR, T 1	4X			3	3	3						

IP 00 - 575 Vac, 3-Phase, 50/60Hz Input

IP 21/54 - 575 Vac, 3-Phase, 50/60Hz Input

Product Number	List Price GO-SRP	Description	Unit Size	Drive Hp and Quantity Per Drive										
				150	200	250	300	350	400	450	500	600	650	
Cables														
6KAF6H8640	\$70.00	CBL1 - Keypad Cable for IP54/Nema 12 Drive Type	41/42	1	1	1	1	1	1					
6KAF6H8586	\$75.00	CBL1 - Keypad Cable	5X							1	1	1	1	
6KAF6H8641	\$80.00	CBL2 - Control Cable PCA, 44pin	4X & 5X	1	1	1	1	1	1	1	1	1	1	
6KAF6H8541	\$185.00	CBL5 - Current Sensor Cable	4X	1	1									
6KAF6H8349	\$365.00	CBL5 - Current Sensor Cable	42			1	1	1	1					
6KAF6H8568	\$235.00	CBL5 - Current Sensor Cable	5X							1	1	1		
6KAF6H8569	\$245.00	CBL5 - Current Sensor Cable	5X							1	1	1		
6KAF6H8542	\$75.00	CBL8 - HS Fan Cable	41	1	1									1
6KAF6H8359	\$100.00	CBL8 - HS Fan Cable	42			1	1	1	1					
6KAF6H8571	\$80.00	CBL8 - Fan Cable for IP00/Open Chassis Drive Type	51							1	1			
6KAF6H8572	\$120.00	CBL8 - Fan Cable for IP54/Nema 12 Drive Type	52							1	1			
6KAF6H8573	\$85.00	CBL8 - Fan Cable for IP00/Open Chassis Drive Type	51										1	1
6KAF6H8574	\$125.00	CBL8 - Fan Cable for IP54/Nema 12 Drive Type	52										1	1
6KAF6H8354	\$60.00	CBL9 - Softcharge Cable RST prime	4X	1	1	1	1	1	1					
6KAF6H8570	\$55.00	CBL9 - Softcharge Cable RST prime	5X							1	1	1	1	
6KAF6H8358	\$55.00	CBL12 - Door Fan Cable	41/42	1	1	1	1	1	1					
6KAF6H8544	\$110.00	CBL13 - SCR Cable	41	1	1									
6KAF6H8357	\$110.00	CBL13 - SCR Cable	42			1	1	1	1					
6KAF6H8575	\$205.00	CBL13 - SCR Cable	5X							1	1	1	1	
6KAF6H8356	\$45.00	CBL14 - DC to Power PCA Cable	4X	1	1	1	1	1	1					
6KAF6H8576	\$50.00	CBL14 - DC to Power PCA Cable	5X							1	1	1	1	
6KAF6H8363	\$30.00	CBL16 - Gate Driver Cable, 16pin	41	1	1									
6KAF6H8350	\$41.00	CBL16 - Gate Driver Cable, 16pin	42			1	1	1	1					
6KAF6H8581	\$45.00	CBL16 - Gate Driver Cable, 16pin	5X							1	1	1	1	
6KAF6H8364	\$60.00	CBL17, 18, 19 IGBT Gate Cable	41	3	3					1	1	1	1	
6KAF6H8351	\$95.00	CBL17, 18, 19 - IGBT Gate Cable	42			3	3	3	3					
6KAF6H8582	\$40.00	CBL17, 18, 19 - IGBT Gate Cable	51							3	3	3	3	
6KAF6H8352	\$65.00	CBL20 - IGBT Temperature Cable	-	1	1	1	1	1	1	1	1	1	1	1
6KAF6H8365	\$40.00	CBL21 - Brake IGBT Cable	41	1	1									
6KAF6H8368	\$65.00	CBL21 - Brake IGBT Cable	42			1	1	1	1					
6KAF6H8583	\$85.00	CBL21 - Brake IGBT Cable	5X							1	1	1	1	
6KAF6H8366	\$320.00	CBL22 - Brake Power Plus Cable	41	1	1									
6KAF6H8369	\$595.00	CBL22 - Brake Power Plus Cable	42			1	1	1	1					
6KAF6H8367	\$320.00	CBL23 - Brake Power Minus Cable	41	1	1									
6KAF6H8370	\$550.00	CBL23 - Brake Power Minus Cable	42			1	1	1	1					
6KAF6H8543	\$55.00	CBL24 - Softcharge RST Cable	41	1	1									
6KAF6H8353	\$75.00	CBL24 - Softcharge RST Cable	42			1	1	1	1					
6KAF6H8584	\$45.00	CBL24 - Softcharge RST Cable	5X							1	1	1	1	
6KAF6H8355	\$45.00	CBL25 - Softcharge to DC Bus Cable	4X	1	1	1	1	1	1					
6KAF6H8585	\$40.00	CBL25 - Softcharge to DC Bus Cable	5X							1	1	1	1	
6KAF6H8613	\$65.00	CBL26 - Fuse Fan Cable	5X							1	1	1	1	



Drives AF-600FP™ Fan and Pump Drive Replacement Parts

Section 15

IP 00 - 575 Vac, 3-Phase, 50/60Hz Input (continued)
IP 21/54 - 575 Vac, 3-Phase, 50/60Hz Input (continued)

Product Number	List Price GO-SRP	Description	Unit Size	Drive Hp and Quantity Per Drive																
				150	200	250	300	350	400	450	500	600	650							
Terminals, Labels, Insulators																				
6KAF6H8374	\$215.00	TB1 - Bus Bars, Terminals Line/Load	4X	3	3															
6KAF6H8375	\$260.00	TB1 - Bus Bars, Terminals Line/Load	4X			3	3	3	3											
6KAF6H8587	\$690.00	TB1 - Bus Bars, Terminal Block	5X																	
6KAF6H8374	\$215.00	TB2 - Bus Bars, Terminals Line/Load	4X	3	3							3	3	3	3					
6KAF6H8375	\$255.00	TB2 - Bus Bars, Terminals Line/Load	4X			3	3	3	3											
6KAF6H8587	\$690.00	TB2 - Bus Bars, Terminal Block	5X																	
6KAF6H8395	\$260.00	TB3 - Bus Bars, Terminal, Load Share & Brake	4X	2	2	2	2	2	2			3	3	3	3					
6KAF6H8399	\$410.00	TB3 - Bus Bars, Terminal, Load Share, Left	4X																	
6KAF6H8404	\$415.00	TB3 - Bus Bars, Terminal, Load Share, Right	4X									1	1	1	1					
6KAF6H8395	\$260.00	TB4 - Bus Bars, Terminal, Load Share & Brake	4X	2	2							1	1	1	1					
6KAF6H8399	\$410.00	TB4 - Bus Bars, Terminal, Load Share, Left	4X			1	1	1	1											
6KAF6H8404	\$415.00	TB4 - Bus Bars, Terminal, Load Share, Right	4X			1	1	1	1											
6KAF6H8587	\$690.00	TB4 - Bus Bars, Terminal Block	5X																	
6KAF6H8371	\$135.00	TB1 - Terminal Insulator Line/Load	4X	1	1	1	1	1	1			2	2	2	2					
6KAF6H8588	\$155.00	TB1 - Insulator Terminal Block	5X									3	3	3	3					
6KAF6H8371	\$135.00	TB2 - Terminal Insulator Line/Load	4X	1	1	1	1	1	1											
6KAF6H8588	\$155.00	TB2 - Insulator Terminal Block	5X									3	3	3	3					
6KAF6H8372	\$80.00	TB3 - Terminal Insulator, Brake & Load Share	4X	1	1	1	1	1	1			1	1	1	1					
6KAF6H8372	\$80.00	TB4 - Terminal Insulator, Brake & Load Share	4X	1	1	1	1	1	1			1	1	1	1					
6KAF6H8588	\$155.00	TB4 - Insulator Terminal Block	5X									2	2	2	2					
6KAF6H8373	\$155.00	Terminal Block Label Set	4X	1	1	1	1	1	1											
6KAF6H8589	\$1460.00	Terminal Block Label Set	5X									1	1	1	1					
6KAF6H8545	\$60.00	Insulator Mylar for IGBT Bus	41	1	1															
6KAF6H8421	\$65.00	Insulator Mylar for IGBT Bus	42			1	1	1	1											
6KAF6H8590	\$150.00	Insulator for IGBT- Chassis	5X																	
6KAF6H8547	\$30.00	Insulator for IGBT Snubber Capacitor Support	-	1	1	2	2	2	2			1	1	1	1					
6KAF6H8546	\$160.00	Line Fuse Insulator	-			1	1	1	1											
6KAF6H8410	\$285.00	Bus Bar Stand Off, PKG10	-	12	12	17	17	17	17			11	11	11	11					
6KAF6H8610	\$230.00	IGBT Output Standoff, PKG9	5X									9	9	9	9					
Bus Bars																				
6KAF6H8380	\$145.00	Bus Bars, SCR, R S T	4X	3	3															
6KAF6H8548	\$95.00	Bracket, SCR Bus Bars Support	4X	1	1															
6KAF6H8394	\$210.00	Bus Bars, SCR Input	4X			3														
6KAF6H8387	\$180.00	Bus Bars, SCR Plus, 1	4X																	
6KAF6H8700	\$1615.00	Bus Bars, SCR/DI Input	5X																	
6KAF6H8379	\$620.00	Bus Bars Assy, SCR	4X	1	1															
6KAF6H8381	\$150.00	Bus Bars, SCR Minus	4X	2	2															
6KAF6H8393	\$325.00	Bus Bars, SCR DC	-			2														
6KAF6H8385	\$290.00	Bus Bars, SCR Minus, 1	4X																	
6KAF6H8386	\$380.00	Bus Bars, SCR Minus, 2	4X																	
6KAF6H8388	\$380.00	Bus Bars, SCR Plus, 2	4X																	
6KAF6H8701	\$1780.00	Bus Bars, SCR/DI Output	5X																	
6KAF6H8597	\$2500.00	Bus Bars, DC Bus Plus, Before DC Reactor	5X																	
6KAF6H8598	\$2500.00	Bus Bars, DC Bus Minus, Before DC Reactor	5X																	
6KAF6H8549	\$150.00	Bus Bars, DC Link, Plus	4X	1	1															
6KAF6H8391	\$190.00	Bus Bars, DC Link, Plus	4X	1	1															
6KAF6H8382	\$265.00	Bus Bars, DC Link Minus	4X			2	2	2	2											
6KAF6H8599	\$715.00	Bus Bars, DC Bus, After DC Reactor	5X																	
6KAF6H8376	\$670.00	Bus Bars Assy, IGBT	4X	1	1							2	2	2	2					
6KAF6H8377	\$675.00	Bus Bars Assy, IGBT-Inductor	4X																	
6KAF6H8378	\$690.00	Bus Bars Assy, IGBT-Capacitor	4X			1	1	1	1											
6KAF6H8600	\$3675.00	Bus Bars Assy, IGBT-Inductor	5X			1	1	1	1											
6KAF6H8601	\$865.00	Bus Bars Assy, IGBT-Capacitor	5X																	
6KAF6H8390	\$100.00	Bus Bars, IGBT U V W	4X	3	3							3	3	3	3					
6KAF6H8392	\$230.00	Bus Bars, Motor, 2	4X	3	3															
6KAF6H8383	\$260.00	Bus Bars, Motor, U W	4X			2	2	2	2											
6KAF6H8384	\$215.00	Bus Bars, Motor, V	4X			1	1	1	1											
6KAF6H8389	\$220.00	Bus Bars, I-Sensor	4X			3	3	3	3											
6KAF6H8602	\$1175.00	Bus Bars, IGBT Output	5X																	
6KAF6H8603	\$1180.00	Bus Bars, Over Fan Box	5X																	
6KAF6H8604	\$530.00	Bus Bars, Current Sensor S3 S2	5X																	
6KAF6H8605	\$550.00	Bus Bars, Current Sensor S4S2- S5S2	4X																	
6KAF6H8397	\$190.00	Bus Bars, Brake Plus	4X	1	1															
6KAF6H8398	\$210.00	Bus Bars, Brake Minus	4X	1	1															
6KAF6H8396	\$320.00	Bus Bars, Brake	4X			1	1	1	1											
6KAF6H8606	\$8620.00	Bus Bars, Brake Assy	5X																	
6KAF6H8401	\$475.00	Bus Bars, Load Share Plus	4X	1	1							1	1	1	1					
6KAF6H8400	\$460.00	Bus Bars, Load Share Minus	4X	1	1															
6KAF6H8403	\$855.00	Bus Bars, Load Share Plus	4X			1	1	1	1											
6KAF6H8402	\$655.00	Bus Bars, Load Share Minus	4X			1	1	1	1											
6KAF6H8607	\$2055.00	Bus Bars, Load Share Plus	5X																	
6KAF6H8702	\$2520.00	Bus Bars, Load Share Minus	5X																	
6KAF6H8405	\$1370.00	Bus Bars, SCR Input 2	4X	3	3															
6KAF6H8406	\$835.00	Bus Bars, SCR, T, 1	4X			3	3	3	3											



Drives

AF-600FP™ Enclosed Drive Panels

Section 15

Product Description

The AF-600 FP™ Enclosed Drive Panel is an enclosed version of the stand-alone AF-600 FP Fan and Pump/Variable Torque drive and incorporates contactors, switches, pilot lights and drive bypass functionality. A full range of enclosed drives—in Type 1, slimline or standard, 12 or 3R enclosures—provides contractors a one-stop-shop source for their drive needs.

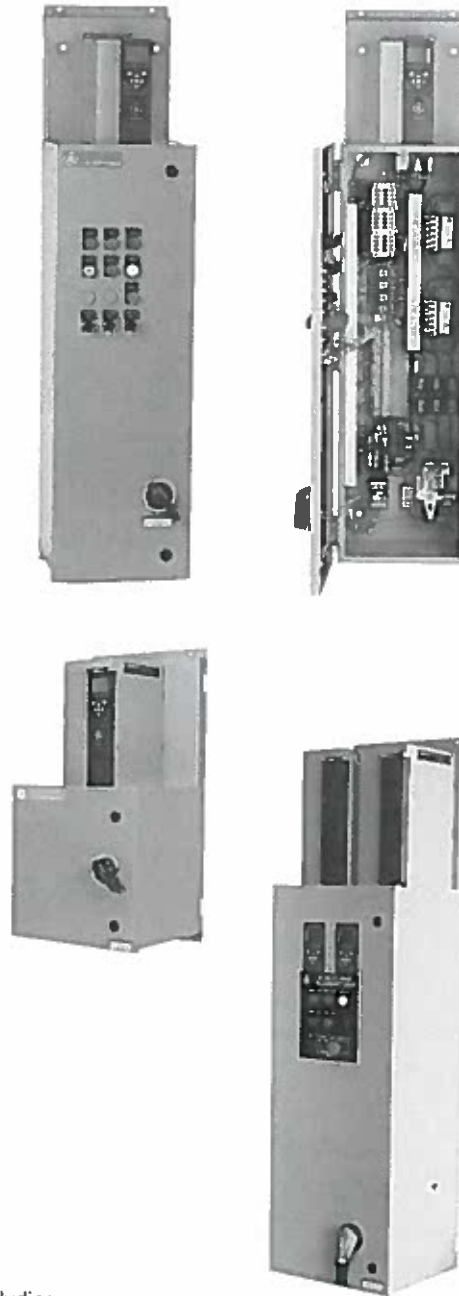
The available configurations include:

- 208Vac, 460Vac and 575Vac offerings
- Up to 300HP in standard offering
- Up to 500HP available as factory quote
- Up to 650HP in Disconnect Drive
- Up to 1000HP MultiPulse panels (e.g., 12, 18 or 24 pulse) available as factory quote

- Slimline NEMA Type 1 enclosure (standard on lower HP units)
- Traditional NEMA Type 1 enclosure (standard on higher HP units, optional on some lower HP units)
- Traditional NEMA Type 12 enclosure
- Traditional NEMA 3R enclosure

- Disconnect Drive with compact size
- Non-bypass with full feature set
- Drive +2 contactor bypass with full feature set
- Drive +3 contactor bypass with full feature set
- Drive with Redundant Drive bypass to maximize run time performance

The AF-600 FP Panel slimline enclosure saves on space and can reduce installation time in tight spaces. In addition, AF-600 FP Panels can be mounted in "C" channels, further simplifying installation.



Visit <http://www.geindustrial.com/drives> for additional product information including programming guides, drawings, programming software, an energy savings calculator, and much more.

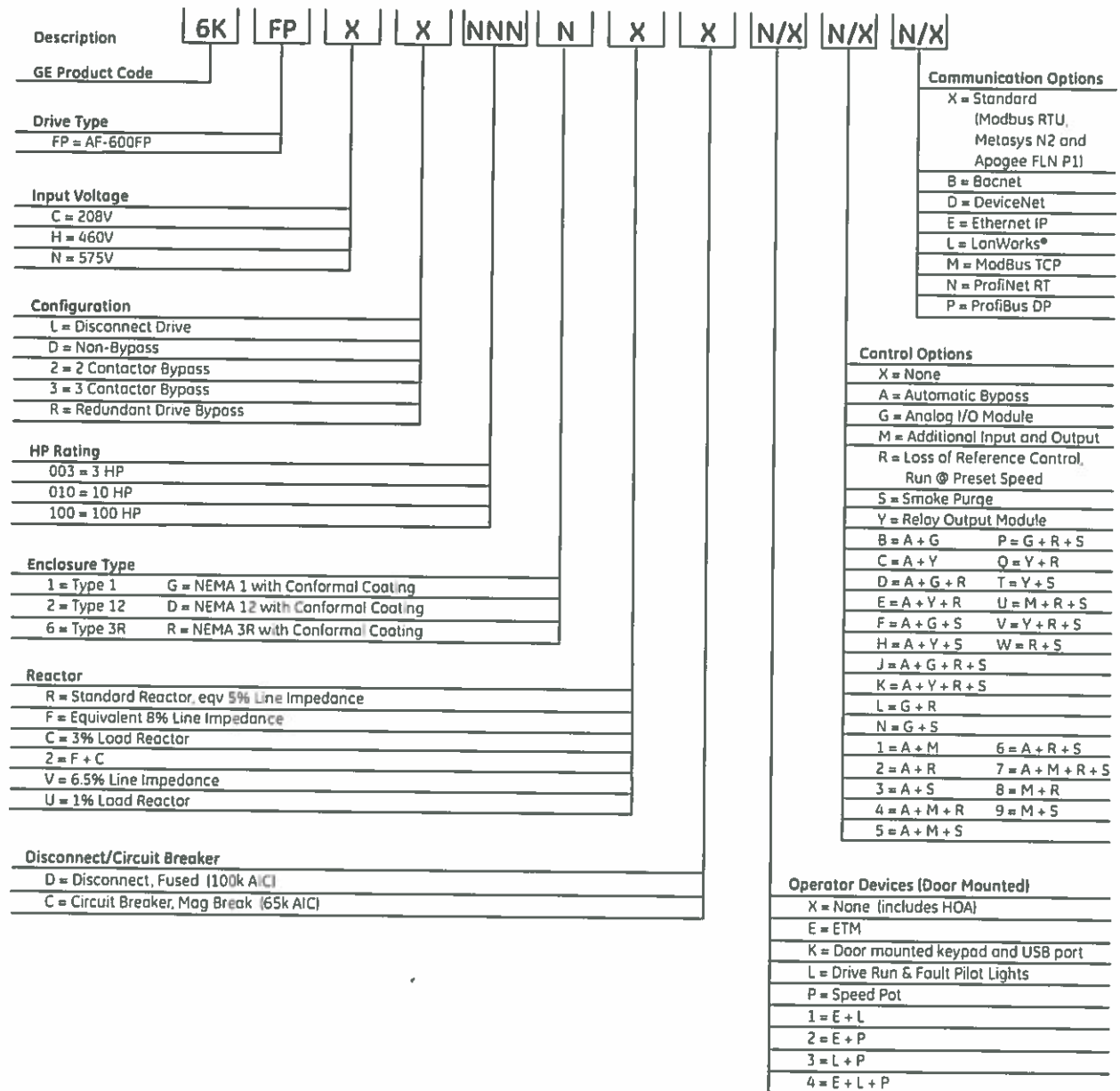


Drives AF-600FP™ Enclosed Drive Panels

Section 15

Product Numbering System Diagram

(Product number for illustrative purposes only)



Drives

Section 15

AF-600FP™ Enclosed Drive Panels Enclosed Disconnect Drive Non-Bypass Pricing

As standard, all Enclosed Disconnect Drives include a fusible disconnect switch and fuses, an A2 rated EMI filter, Modbus RTU, Metasys N2, and Apgee FLN P1 communication protocols, and the equivalent of 5% line reactor

208 Vac, 3-Phase, 60Hz Input Power

Variable Torque HP Rating	AF-600 FP Panel Product No.	List Price GO-5FPP	List Price Adders, GO-5FPP							Door Mounted Keypad	Communications & Option Boards
			Conformal Coating	Circuit Breaker	8% AC Line Impedance ¹	6.5% AC Line Impedance ¹	3% Load Reactor	1.0% Load Reactor			
1	6KFPCL0011RDXXX	\$1900.00	\$210.00	\$636.00	\$469.00	\$400.00	\$603.00	N/A	N/A	All communication and option boards are field installable. Please select from core product.	
2	6KFPCL0021RDXXX	\$1940.00	\$210.00	\$636.00	\$469.00	\$400.00	\$603.00	N/A	N/A		
3	6KFPCL0031RDXXX	\$2065.00	\$210.00	\$636.00	\$469.00	\$400.00	\$603.00	N/A	N/A		
5	6KFPCL0051RDXXX	\$2500.00	\$210.00	\$636.00	\$593.00	\$510.00	\$610.00	N/A	N/A		
7.5	6KFPCL0071RDXXX	\$3000.00	\$210.00	\$636.00	\$684.00	\$585.00	\$613.00	N/A	N/A		
10	6KFPCL0101RDXXX	\$3440.00	\$210.00	\$636.00	\$717.00	\$610.00	\$680.00	N/A	N/A		
15	6KFPCL0151RDXXX	\$4170.00	\$210.00	\$636.00	\$905.00	\$775.00	\$917.00	N/A	N/A		
20	6KFPCL0201RDXXX	\$4935.00	\$210.00	\$755.00	\$999.00	\$850.00	\$945.00	N/A	N/A		
25	6KFPCL0251RDXXX	\$6075.00	\$210.00	\$766.00	\$1170.00	\$995.00	\$1333.00	N/A	N/A		
30	6KFPCL0301RDXXX	\$8910.00	\$210.00	\$766.00	\$1170.00	\$995.00	\$1333.00	N/A	N/A		
40	6KFPCL0401RDXXX	\$10680.00	\$210.00	\$1590.00	\$1243.00	\$1060.00	\$1567.00	N/A	N/A		
50	6KFPCL0501RDXXX	\$12170.00	\$210.00	\$1845.00	\$1418.00	\$1210.00	\$2213.00	N/A	N/A		
60	6KFPCL0601RDXXX	\$15440.00	\$210.00	\$1845.00	\$1506.00	\$1280.00	\$2399.00	N/A	N/A		

460 Vac, 3-Phase, 60Hz Input Power

Variable Torque HP Rating	AF-600 FP Panel Product No.	List Price GO-5FPP	List Price Adders, GO-5FPP							Door Mounted Keypad	Communications & Option Boards
			Conformal Coating	Circuit Breaker	8% AC Line Impedance ¹	6.5% AC Line Impedance ¹	3% Load Reactor	1.0% Load Reactor			
1	6KFPHL0011RDXXX	\$1990.00	\$210.00	\$636.00	\$530.00	\$455.00	\$570.00	\$485.00	N/A	All communication and option boards are field installable. Please select from core product.	
2	6KFPHL0021RDXXX	\$2025.00	\$210.00	\$636.00	\$530.00	\$455.00	\$570.00	\$485.00	N/A		
3	6KFPHL0031RDXXX	\$2275.00	\$210.00	\$636.00	\$530.00	\$455.00	\$570.00	\$485.00	N/A		
5	6KFPHL0051RDXXX	\$2510.00	\$210.00	\$636.00	\$553.00	\$470.00	\$580.00	\$495.00	N/A		
7.5	6KFPHL0071RDXXX	\$2735.00	\$210.00	\$636.00	\$620.00	\$530.00	\$603.00	\$515.00	N/A		
10	6KFPHL0101RDXXX	\$3125.00	\$210.00	\$636.00	\$778.00	\$665.00	\$610.00	\$520.00	N/A		
15	6KFPHL0151RDXXX	\$3480.00	\$210.00	\$636.00	\$808.00	\$690.00	\$813.00	\$700.00	N/A		
20	6KFPHL0201RDXXX	\$4010.00	\$210.00	\$636.00	\$1069.00	\$910.00	\$880.00	\$750.00	N/A		
25	6KFPHL0251RDXXX	\$4525.00	\$210.00	\$636.00	\$1069.00	\$910.00	\$880.00	\$750.00	N/A		
30	6KFPHL0301RDXXX	\$5450.00	\$210.00	\$636.00	\$1214.00	\$1035.00	\$917.00	\$780.00	N/A		
40	6KFPHL0401RDXXX	\$7385.00	\$210.00	\$755.00	\$1214.00	\$1035.00	\$945.00	\$810.00	N/A		
50	6KFPHL0501RDXXX	\$8155.00	\$210.00	\$766.00	\$1266.00	\$1080.00	\$1333.00	\$1135.00	N/A		
60	6KFPHL0601RDXXX	\$9400.00	\$210.00	\$766.00	\$1266.00	\$1080.00	\$1333.00	\$1135.00	N/A		
75	6KFPHL0751RDXXX	\$10875.00	\$210.00	\$1590.00	\$1320.00	\$1125.00	\$1567.00	\$1335.00	N/A		
100	6KFPHL1001RDXXX	\$14325.00	\$210.00	\$1845.00	\$1530.00	\$1310.00	\$2213.00	\$1885.00	N/A		
125	6KFPHL1251RDXXX	\$17235.00	\$210.00	\$1845.00	\$1620.00	\$1380.00	\$2399.00	\$2040.00	N/A		
150	6KFPHL1501RDXXX	\$21770.00	\$705.00	\$1845.00	\$1691.00	\$1440.00	\$2511.00	\$2135.00	\$600.00		
200	6KFPHL2001RDXXX	\$25050.00	\$705.00	\$2575.00	\$1850.00	\$1575.00	\$2570.00	\$2185.00	\$600.00		
250	6KFPHL2501RDXXX	\$30210.00	\$705.00	\$2575.00	\$1954.00	\$1665.00	\$2761.00	\$2350.00	\$600.00		
300	6KFPHL3001RDXXX	\$35700.00	\$705.00	\$4191.00	\$1954.00	\$1665.00	\$3104.00	\$2640.00	\$600.00		
350	6KFPHL3501RDXXX	\$45000.00	\$705.00	\$5867.00	\$2188.00	\$1860.00	\$3280.00	\$2800.00	\$600.00		
450	6KFPHL450GRDXXX	\$60000.00	Std	\$6845.00	\$3000.00	\$2550.00	\$3565.00	\$3026.00	\$600.00		
500	6KFPHL500GRDXXX	\$70000.00	Std	\$8800.00	\$3800.00	\$3230.00	\$4510.00	\$3833.00	\$600.00		
550	6KFPHL550GRDXXX	\$80000.00	Std	\$9780.00	\$4200.00	\$3570.00	\$4985.00	\$4237.00	\$600.00		
600	6KFPHL600GRDXXX	\$89000.00	Std	\$10760.00	\$4600.00	\$3910.00	\$5460.00	\$4640.00	\$600.00		

¹Drive comes standard with 5% line impedance via DC Link Reactor.



Drives

AF-600FP™ Enclosed Drive Panels

Enclosed Disconnect Drive Non-Bypass Pricing

Section 15

575 Vac, 3-Phase, 60Hz Input Power

Variable Torque HP Rating	AF-600 FP Panel Product No.	List Price GO-5FPP	List Price Adders, GO-5FPP							Communications & Option Boards
			Conformal Coating	Circuit Breaker	8% AC Line Impedance ¹	6.5% AC Line Impedance ¹	3% Load Reactor	1.0% Load Reactor	Door Mounted Keypad	
1	6KFPNL0011RDXXX	\$2950.00	\$210.00	\$636.00	\$530.00	\$455.00	\$570.00	\$485.00	N/A	All communication and option boards are field installable. Please select from core product
2	6KFPNL0021RDXXX	\$3000.00	\$210.00	\$636.00	\$530.00	\$455.00	\$570.00	\$485.00	N/A	
3	6KFPNL0031RDXXX	\$3100.00	\$210.00	\$636.00	\$530.00	\$455.00	\$570.00	\$485.00	N/A	
5	6KFPNL0051RDXXX	\$3310.00	\$210.00	\$636.00	\$553.00	\$470.00	\$580.00	\$495.00	N/A	
7.5	6KFPNL0071RDXXX	\$3600.00	\$210.00	\$636.00	\$620.00	\$530.00	\$603.00	\$515.00	N/A	
10	6KFPNL0101RDXXX	\$4110.00	\$210.00	\$636.00	\$778.00	\$665.00	\$610.00	\$520.00	N/A	
15	6KFPNL0151RDXXX	\$4635.00	\$210.00	\$636.00	\$808.00	\$690.00	\$813.00	\$700.00	N/A	
20	6KFPNL0201RDXXX	\$5270.00	\$210.00	\$636.00	\$1069.00	\$910.00	\$880.00	\$750.00	N/A	
25	6KFPNL0251RDXXX	\$5935.00	\$210.00	\$636.00	\$1069.00	\$910.00	\$880.00	\$750.00	N/A	
30	6KFPNL0301RDXXX	\$7140.00	\$210.00	\$636.00	\$1214.00	\$1035.00	\$917.00	\$780.00	N/A	
40	6KFPNL0401RDXXX	\$9660.00	\$210.00	\$755.00	\$1214.00	\$1035.00	\$945.00	\$810.00	N/A	
50	6KFPNL0501RDXXX	\$10790.00	\$210.00	\$766.00	\$1266.00	\$1080.00	\$1333.00	\$1135.00	N/A	
60	6KFPNL0601RDXXX	\$12310.00	\$210.00	\$766.00	\$1266.00	\$1080.00	\$1333.00	\$1135.00	N/A	
75	6KFPNL0751RDXXX	\$14225.00	\$210.00	\$1590.00	\$1320.00	\$1125.00	\$1567.00	\$1335.00	N/A	
100	6KFPNL1001RDXXX	\$18975.00	\$210.00	\$1845.00	\$1530.00	\$1310.00	\$2213.00	\$1885.00	N/A	
125	6KFPNL1251RDXXX	\$22555.00	\$210.00	\$1845.00	\$1620.00	\$1380.00	\$2399.00	\$2040.00	N/A	
150	6KFPNL150GRDXXX	\$34100.00	Std	\$1845.00	\$1691.00	\$1440.00	\$2511.00	\$2135.00	\$600.00	
200	6KFPNL200GRDXXX	\$34760.00	Std	\$2575.00	\$1850.00	\$1575.00	\$2570.00	\$2185.00	\$600.00	
250	6KFPNL250GRDXXX	\$41725.00	Std	\$2575.00	\$1954.00	\$1665.00	\$2761.00	\$2350.00	\$600.00	
300	6KFPNL300GRDXXX	\$49135.00	Std	\$4191.00	\$1954.00	\$1665.00	\$3104.00	\$2640.00	\$600.00	
350	6KFPNL350GRDXXX	\$60750.00	Std	\$5867.00	\$2188.00	\$1860.00	\$3280.00	\$2800.00	\$600.00	
400	6KFPNL400GRDXXX	\$81000.00	Std	\$6845.00	\$3000.00	\$2550.00	\$3565.00	\$3026.00	\$600.00	
450	6KFPNL450GRDXXX	\$94500.00	Std	\$8800.00	\$3800.00	\$3230.00	\$4510.00	\$3833.00	\$600.00	
500	6KFPNL500GRDXXX	\$108000.00	Std	\$9780.00	\$4200.00	\$3570.00	\$4985.00	\$4237.00	\$600.00	
600	6KFPNL600GRDXXX	\$120150.00	Std	\$10760.00	\$4600.00	\$3910.00	\$5460.00	\$4640.00	\$600.00	
650	6KFPNL650GRDXXX	\$130950.00	Std	\$11725.00	\$5000.00	\$4250.00	\$5935.00	\$5050.00	\$600.00	

¹Drive comes standard with 5% line impedance via DC Link Reactor.



Drives

Section 15

AF-600FP™ Enclosed Drive Panels Enclosed Non-Bypass Drives Pricing

As standard, all Enclosed Non-Bypass Drives include a fusible disconnect switch and fuses, a door-mounted keypad, an HOA operator, an E-Stop button (for UL508A compliance), power on and enable lights, a customer terminal board for control connection, an A2 rated EMI filter, Modbus RTU, Metasys N2, and Apgee FLN P1 communication protocols and the equivalent of 5% line reactor.

208 Vac, 3-Phase, 60Hz Input Power

Variable Torque HP Rating	AF-600 FP Panel Product No.	Max. Cont. Current	List Price GO-SFPP	List Price Adders, GO-SFPP					
				NEMA 12 Enclosure	NEMA 3R Enclosure	Conformal Coating	8% AC Line Impedance ¹	3% Load Reactor	Circuit Breaker
2	6KFPCD0021RDXXX	7.5	\$2088.00	\$570.00	\$1000.00	\$210.00	\$469.00	\$603.00	\$636.00
3	6KFPCD0031RDXXX	10.6	\$2215.00	\$570.00	\$1000.00	\$210.00	\$469.00	\$603.00	\$636.00
5	6KFPCD0051RDXXX	16.7	\$2642.00	\$570.00	\$1000.00	\$210.00	\$593.00	\$610.00	\$636.00
7.5	6KFPCD0071RDXXX	24.2	\$3198.00	\$590.00	\$1500.00	\$210.00	\$684.00	\$813.00	\$636.00
10	6KFPCD0101RDXXX	30.8	\$3636.00	\$590.00	\$1500.00	\$210.00	\$717.00	\$800.00	\$636.00
15	6KFPCD0151RDXXX	46.2	\$4369.00	\$590.00	\$1750.00	\$210.00	\$905.00	\$917.00	\$636.00
20	6KFPCD0201RDXXX	59.4	\$5135.00	\$740.00	\$1750.00	\$210.00	\$999.00	\$945.00	\$755.00
25	6KFPCD0251RDXXX	74.8	\$6373.00	\$740.00	\$2000.00	\$210.00	\$1170.00	\$1333.00	\$766.00
30	6KFPCD0301RDXXX	88.0	\$9210.00	\$740.00	\$2000.00	\$210.00	\$1170.00	\$1333.00	\$766.00
40	6KFPCD0401RDXXX	115	\$11180.00	\$894.00	\$2500.00	\$210.00	\$1243.00	\$1567.00	\$1590.00
50	6KFPCD0501RDXXX	143	\$12670.00	\$1014.00	\$3500.00	\$210.00	\$1410.00	\$2213.00	\$1845.00
60	6KFPCD0601RDXXX	170	\$15938.00	\$1275.00	\$3500.00	\$210.00	\$1506.00	\$2399.00	\$1845.00

460 Vac, 3-Phase, 60Hz Input Power

Variable Torque HP Rating	AF-600 FP Panel Product No.	Max. Cont. Current	List Price GO-SFPP	List Price Adders, GO-SFPP					
				NEMA 12 Enclosure	NEMA 3R Enclosure	Conformal Coating	8% AC Line Impedance ¹	3% Load Reactor	Circuit Breaker
2	6KFPHD0021RDXXX	3.4	\$2175.00	\$570.00	\$1000.00	\$210.00	\$530.00	\$570.00	\$636.00
3	6KFPHD0031RDXXX	4.8	\$2422.00	\$570.00	\$1000.00	\$210.00	\$530.00	\$570.00	\$636.00
5	6KFPHD0051RDXXX	8.2	\$2657.00	\$570.00	\$1000.00	\$210.00	\$553.00	\$580.00	\$636.00
7.5	6KFPHD0071RDXXX	11.0	\$2882.00	\$570.00	\$1250.00	\$210.00	\$620.00	\$603.00	\$636.00
10	6KFPHD0101RDXXX	14.5	\$3271.00	\$570.00	\$1250.00	\$210.00	\$778.00	\$610.00	\$636.00
15	6KFPHD0151RDXXX	21.0	\$3679.00	\$570.00	\$1500.00	\$210.00	\$808.00	\$813.00	\$636.00
20	6KFPHD0201RDXXX	27.0	\$4208.00	\$590.00	\$1500.00	\$210.00	\$1069.00	\$880.00	\$636.00
25	6KFPHD0251RDXXX	34.0	\$4719.00	\$590.00	\$1750.00	\$210.00	\$1069.00	\$880.00	\$636.00
30	6KFPHD0301RDXXX	40.0	\$5644.00	\$590.00	\$1750.00	\$210.00	\$1214.00	\$917.00	\$636.00
40	6KFPHD0401RDXXX	52.0	\$7582.00	\$740.00	\$1750.00	\$210.00	\$1214.00	\$945.00	\$755.00
50	6KFPHD0501RDXXX	65.0	\$8453.00	\$740.00	\$2000.00	\$210.00	\$1266.00	\$1333.00	\$766.00
60	6KFPHD0601RDXXX	80.0	\$9697.00	\$740.00	\$2000.00	\$210.00	\$1266.00	\$1333.00	\$766.00
75	6KFPHD0751RDXXX	105.0	\$11174.00	\$890.00	\$2500.00	\$210.00	\$1320.00	\$1567.00	\$1590.00
100	6KFPHD1001RDXXX	130	\$14824.00	\$1186.00	\$3500.00	\$210.00	\$1530.00	\$2213.00	\$1845.00
125	6KFPHD1251RDXXX	160	\$17735.00	\$1419.00	\$3500.00	\$210.00	\$1620.00	\$2399.00	\$1845.00
150	6KFPHD1501RDXXX	190	\$22466.00	\$1797.00	\$4000.00	\$705.00	\$1691.00	\$2511.00	\$1845.00
200	6KFPHD2001RDXXX	240	\$25745.00	\$2060.00	N/A	\$705.00	\$1850.00	\$2570.00	\$2575.00
250	6KFPHD2501RDXXX	302	\$30906.00	\$2472.00	N/A	\$705.00	\$1954.00	\$2761.00	\$2575.00
300	6KFPHD3001RDXXX	361	\$36396.00	\$2912.00	N/A	\$705.00	\$1954.00	\$3104.00	\$4191.00

575 Vac, 3-Phase, 60Hz Input Power

Variable Torque HP Rating	AF-600 FP Panel Product No.	Max. Cont. Current	List Price GO-SFPP	List Price Adders, GO-SFPP					
				NEMA 12 Enclosure	NEMA 3R Enclosure	Conformal Coating	8% AC Line Impedance ¹	3% Load Reactor	Circuit Breaker
2	6KFPND0021RDXXX	2.7	\$3150.00	\$570.00	\$1000.00	\$210.00	\$530.00	\$570.00	\$636.00
3	6KFPND0031RDXXX	3.9	\$3250.00	\$570.00	\$1000.00	\$210.00	\$530.00	\$570.00	\$636.00
5	6KFPND0051RDXXX	6.1	\$3454.00	\$570.00	\$1000.00	\$210.00	\$553.00	\$580.00	\$636.00
7.5	6KFPND0071RDXXX	9.0	\$3745.00	\$570.00	\$1250.00	\$210.00	\$620.00	\$603.00	\$636.00
10	6KFPND0101RDXXX	11.0	\$4252.00	\$570.00	\$1250.00	\$210.00	\$778.00	\$610.00	\$636.00
15	6KFPND0151RDXXX	18.0	\$4783.00	\$570.00	\$1500.00	\$210.00	\$808.00	\$813.00	\$636.00
20	6KFPND0201RDXXX	22.0	\$4700.00	\$590.00	\$1500.00	\$210.00	\$1069.00	\$880.00	\$636.00
25	6KFPND0251RDXXX	27.0	\$6135.00	\$590.00	\$1750.00	\$210.00	\$1069.00	\$880.00	\$636.00
30	6KFPND0301RDXXX	34.0	\$7337.00	\$590.00	\$1750.00	\$210.00	\$1214.00	\$917.00	\$636.00
40	6KFPND0401RDXXX	41.0	\$9856.00	\$740.00	\$1750.00	\$210.00	\$1214.00	\$945.00	\$755.00
50	6KFPND0501RDXXX	52.0	\$10990.00	\$740.00	\$2000.00	\$210.00	\$1266.00	\$1333.00	\$766.00
60	6KFPND0601RDXXX	62.0	\$12606.00	\$740.00	\$2000.00	\$210.00	\$1266.00	\$1333.00	\$766.00
75	6KFPND0751RDXXX	83.0	\$14525.00	\$890.00	\$2500.00	\$210.00	\$1320.00	\$1567.00	\$1590.00
100	6KFPND1001RDXXX	100	\$19271.00	\$1542.00	\$3500.00	\$210.00	\$1530.00	\$2213.00	\$1845.00
125	6KFPND1251RDXXX	131	\$23055.00	\$1844.00	\$3500.00	\$210.00	\$1620.00	\$2399.00	\$1845.00
150	6KFPND1501RDXXX	155	\$34583.00	\$2767.00	\$4000.00	\$705.00	\$1691.00	\$2511.00	\$1845.00

¹Drive comes standard with 5% line impedance via DC Link Reactor.

